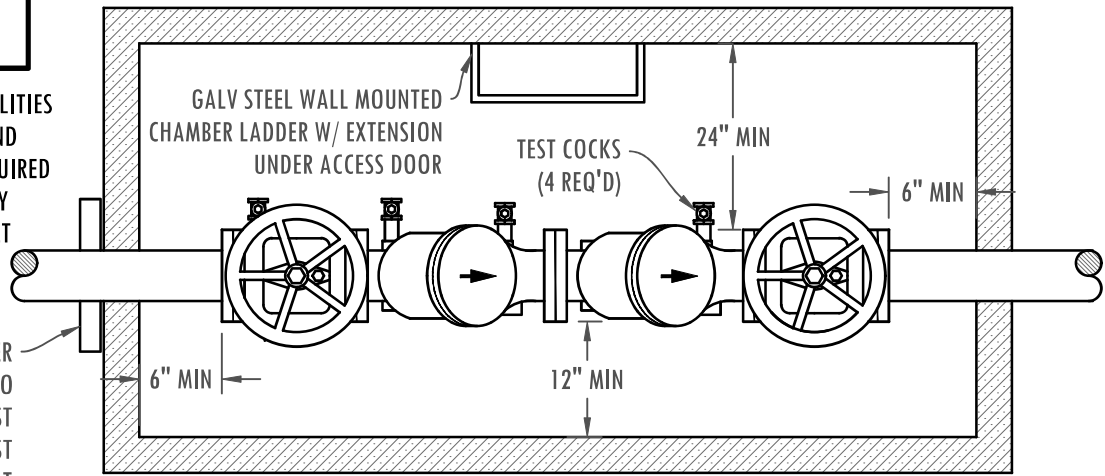


**TYPICAL BELOW GROUND INSTALLATION**

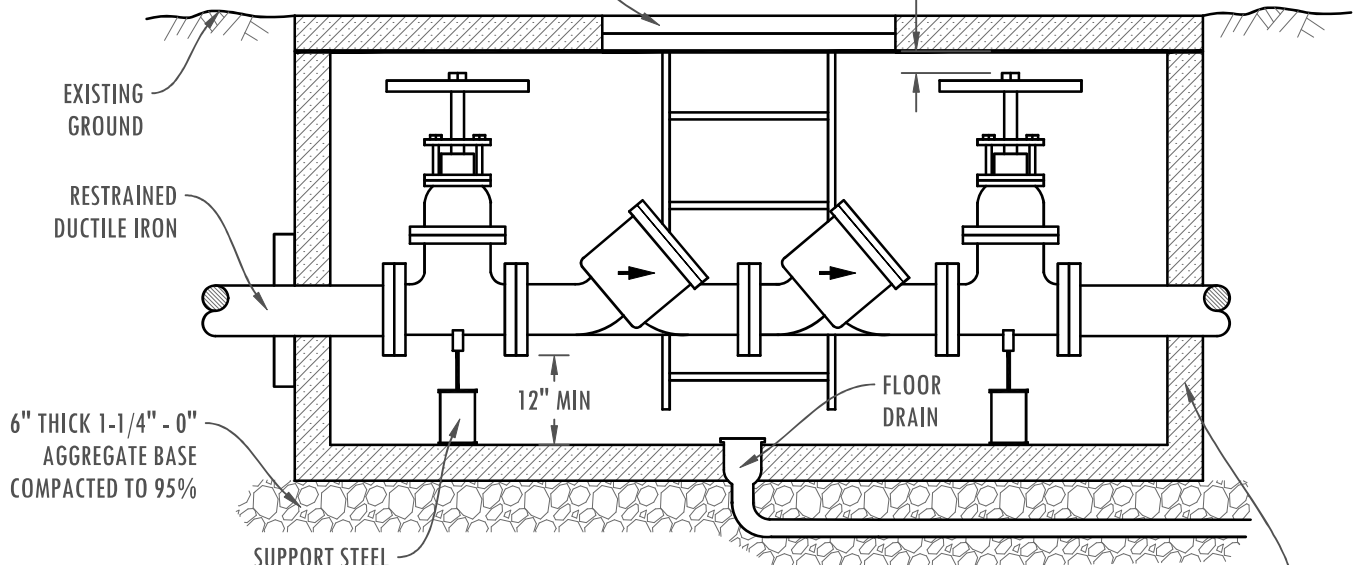
A CLARK PUBLIC UTILITIES APPROVED VALVE AND WATER MAIN IS REQUIRED BETWEEN THE SUPPLY MAIN AND THE VAULT

DI FLANGE ADAPTER W/ SET SCREW TO PROVIDE THRUST RESTRAINT AGAINST CONCRETE VAULT



**TOP VIEW**

VAULT SHALL BE EQUIPPED W/ 36" x 36" SPRING ASSISTED, HOT DIPPED GALV DIAMOND PLATE DOOR. UTILITY VAULT #332P-MODEL 1980.



**SIDE VIEW**

**NOTES:**

1. APPROVED DOUBLE CHECK VALVE ASSEMBLY TO LAY HORIZONTAL WITH THE GROUND.
2. DESIGNED FOR BACK SIPHONAGE AND BACK PRESSURE.
3. THE WATER LINE SHALL BE DISINFECTED, FLUSHED, AND PRESSURE TESTED PRIOR TO INSTALLING THE BACKFLOW ASSEMBLY. THE BACKFLOW ASSEMBLY SHALL BE PROTECTED FROM FREEZING AND FLOODING IN AN INSULATED ENCLOSURE IF INSTALLED ABOVE GROUND.
4. THE D.C.V.A. MAY BE INSTALLED ABOVE OR BELOW GROUND PROVIDED ALL CLEARANCES ARE MET.
5. ALL PIPE, VALVE, AND FITTING JOINTS FROM THE SUPPLY MAIN SHALL BE RESTRAINED.
6. FIRE DEPT. CONNECTION SHALL NOT EXIT THROUGH THE TOP OF THE VAULT.
7. GROUT PIPE ENTRANCE AND EXIT, IN VAULT, WITH WATER-TITE GROUT.
8. ALL VAULTS SHALL BE PRE-APPROVED PRIOR TO INSTALLATION.
9. VAULTS SHALL BE INSTALLED AT PROPERTY LINE OR EASEMENT LINE AND ON OWNERS PROPERTY.
10. VAULTS SHALL HAVE A MINIMUM OF 3' CLEARANCE FROM ALL STRUCTURES.
11. THE BACKFLOW ASSEMBLY SHALL BE TESTED AFTER INSTALLATION AND PRIOR TO ACCEPTANCE AND ALSO YEARLY THEREAFTER BY A WASHINGTON STATE CERTIFIED BACKFLOW ASSEMBLY TESTER. TEST RESULTS SHALL BE SENT TO CLARK PUBLIC UTILITIES WATER SERVICES.

PRE-CAST CONCRETE VAULT H-20 LOADING W/ LADDER UTILITY VAULT #577-LA

REVISED JANUARY 2025

<b>FILE NAME</b>		<b>STANDARD DCVA (DOUBLE CHECK VALVE ASSEMBLY) 2-1/2" &amp; LARGER</b>	
<b>17W</b>			
<b>SHEET</b>	<b>1 OF 1</b>	<b>STANDARD DETAILS</b>	