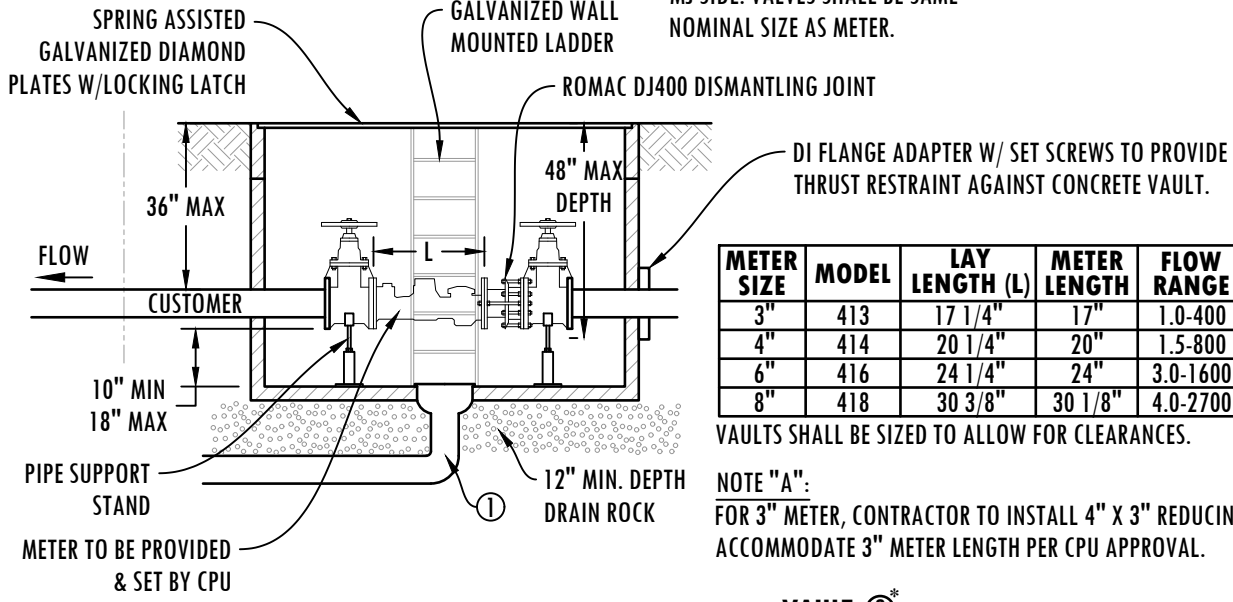
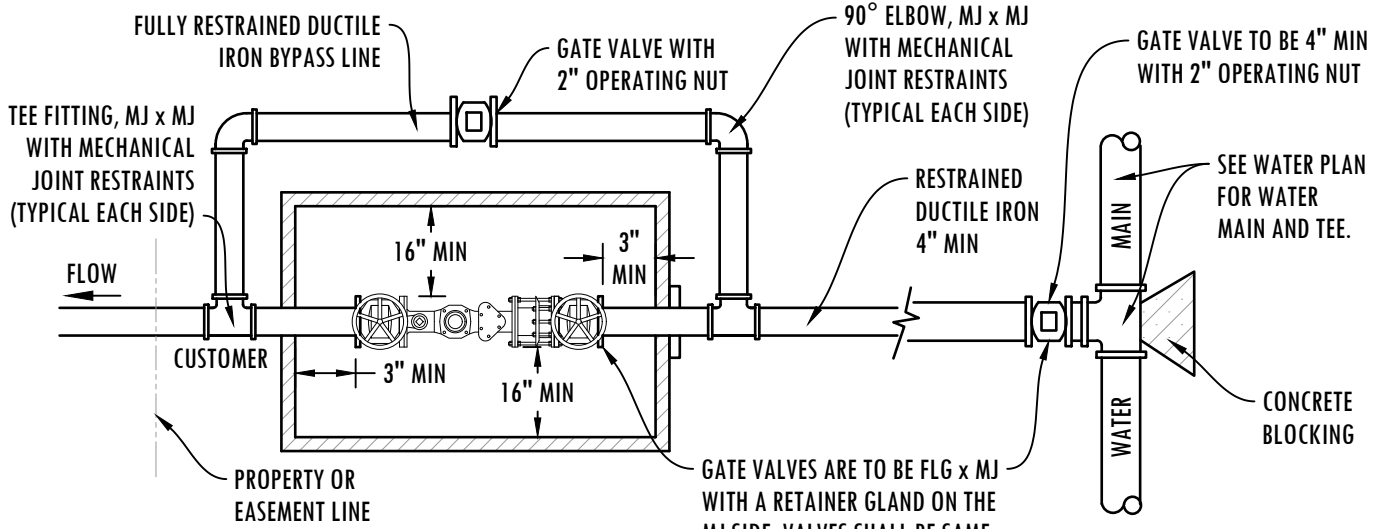


**ALL METERS SHALL BE INSTALLED  
BY CLARK PUBLIC UTILITIES**



METER SIZE	MODEL	LAY LENGTH (L)	METER LENGTH	FLOW RANGE	BY-PASS LINE
3"	413	17 1/4"	17"	1.0-400	2"
4"	414	20 1/4"	20"	1.5-800	2"
6"	416	24 1/4"	24"	3.0-1600	4"
8"	418	30 3/8"	30 1/8"	4.0-2700	6"

VAULTS SHALL BE SIZED TO ALLOW FOR CLEARANCES.

NOTE "A":  
FOR 3" METER, CONTRACTOR TO INSTALL 4" X 3" REDUCING SPOOL TO ACCOMMODATE 3" METER LENGTH PER CPU APPROVAL.

**VAULT ②\***

OLDCASTLE PRECAST VAULTS (OR APPROVED EQUAL):  
3" & 4": #575-LA  
6" & 8": #676-WA

- ① A 4-INCH DRAIN LINE SHALL BE EXTENDED TO AN APPROVED DRAINAGE OUTLET. IN LOCATIONS W/ NO FEASIBLE DRAINAGE SYSTEM, DRAIN MAY BE CONNECTED TO A CPU APPROVED DRYWELL SYSTEM.
- ②\* VAULTS SHALL BE PRE-APPROVED PRIOR TO INSTALLATION

**NOTE:**

1. ALL JOINTS SHALL BE RESTRAINED FROM THE MAIN LINE TEE TO PROVIDE FOR METER REMOVAL. PIPE MATERIAL SHALL BE DI.
2. PRIOR TO METER INSTALLATION, GATE VALVES SHALL BE ALIGNED & SPACED W/ RIGID SPOOL (DRILLED WITH HOLES SO AS NOT TO ALLOW WATER PASSAGE). CONTACT CPU WATER UTILITY FOR DISTANCE BETWEEN METER GATE VALVES PRIOR TO INSTALLATION. (360-992-8022)
3. TEN PIPE DIAMETERS OF STRAIGHT PIPE REQ'D. IN & OUT OF METER.
4. INSTALL VAULT IN SOFT-SCAPE AREA, VERTICALLY FLUSH WITH CURB OR SIDEWALK.
5. IF VAULT MUST BE LOCATED IN A WALKING AREA, A NON-SKID TRAFFIC RATED LID SHALL BE REQUIRED.

REVISED FEBRUARY 2023

<b>FILE NAME</b>	<b>3", 4", 6" AND 8" STANDARD METER INSTALLATION DETAILS</b>		
<b>3W</b>			
<b>SHEET</b>	<b>1 OF 1</b>	<b>STANDARD DETAILS</b>	