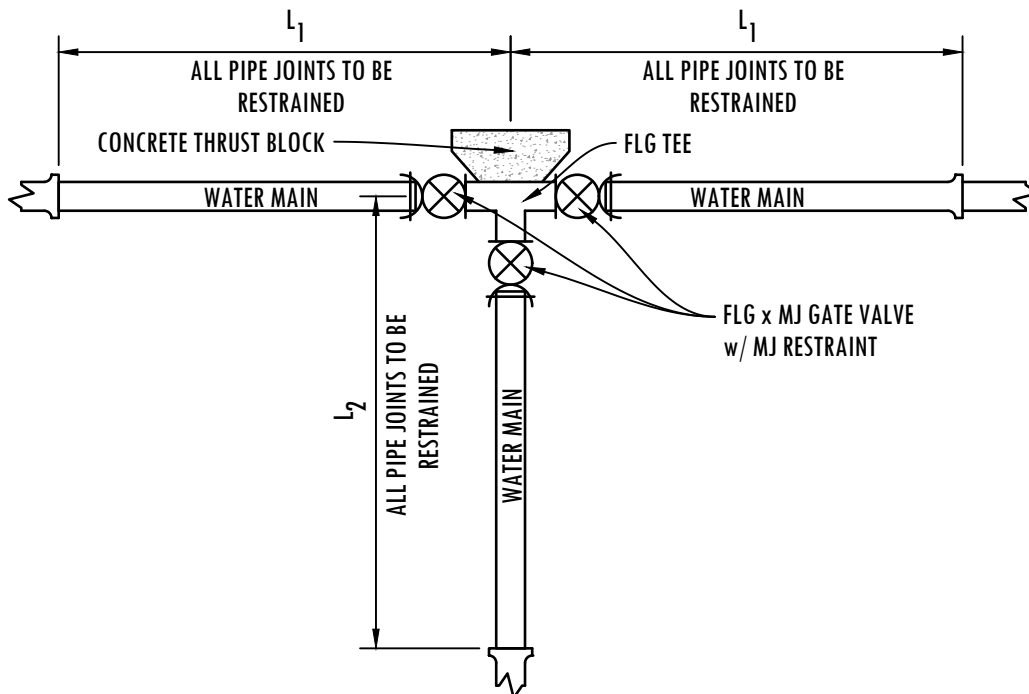


| PVC PIPE | | | |
|-----------|----------------|----------------|----------------|
| PIPE SIZE | L ₁ | L ₂ | L ₃ |
| 6" | 12' | 12' | 12' |
| 8" | 15' | 15' | 15' |
| 12" | 20' | 20' | 20' |
| 16" | 20' | 52' | 52' |

| DIP PIPE (WITHOUT POLY BAG ENCASEMENT) | | | |
|---|----------------|----------------|----------------|
| PIPE SIZE | L ₁ | L ₂ | L ₃ |
| 6" | 10' | 10' | 10' |
| 8" | 14' | 14' | 14' |
| 12" | 19' | 19' | 19' |
| 16" | 20' | 34' | 34' |

NOTE: THESE ARE THE MINIMUM PIPE RESTRAINT LENGTHS UNLESS STATED OTHERWISE ON THE PLANS



REVISED FEBRUARY 2023

| | | | |
|-----------|--------|--|--|
| FILE NAME | | TYPICAL FITTING & VALVE INSTALLATION DETAIL | |
| 25W | | | |
| SHEET | 1 OF 1 | STANDARD DETAILS | |