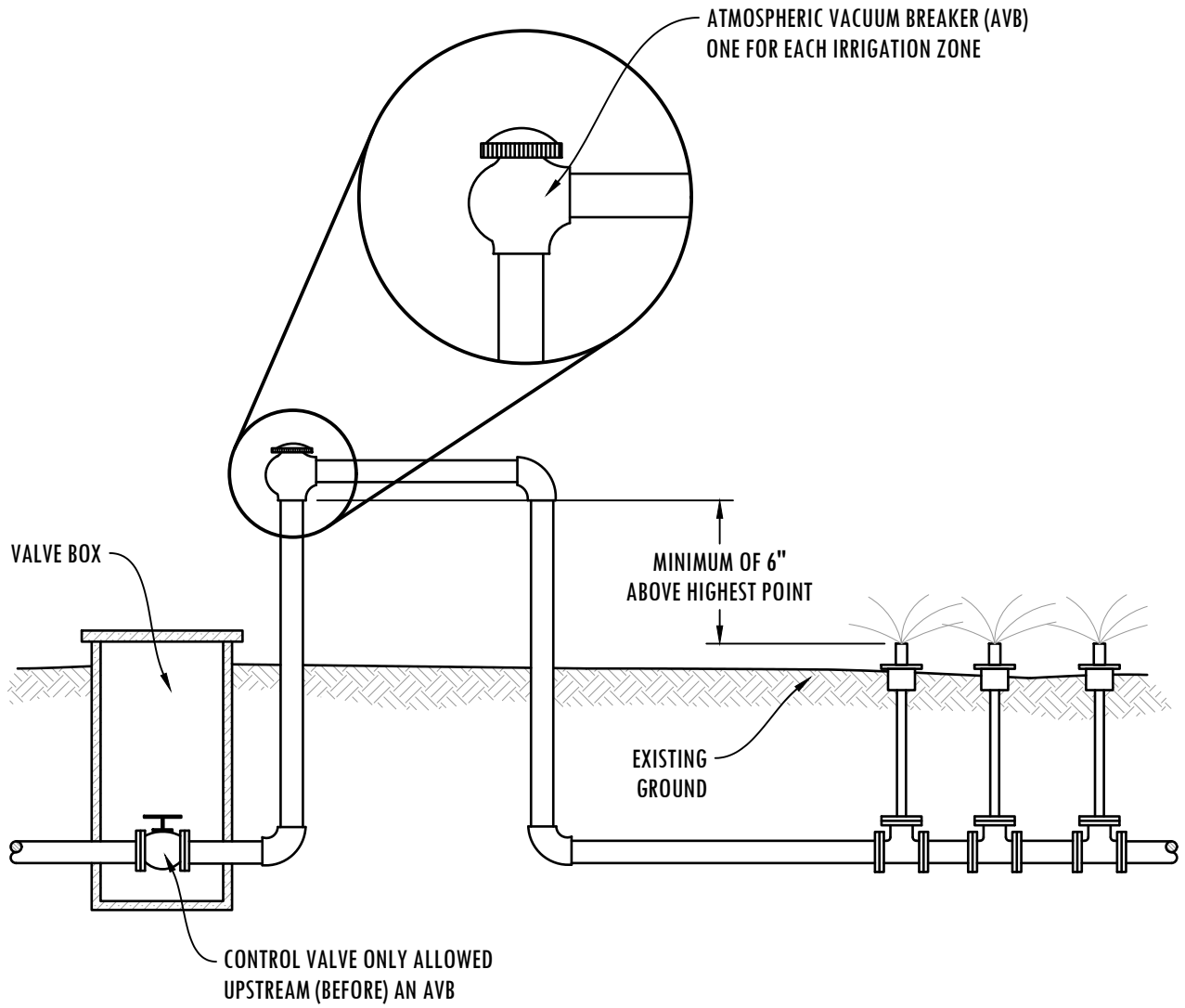


**ABOVE GROUND  
INSTALLATION**



**NOTES:**

1. ONE AVB IS REQUIRED ON EACH IRRIGATION ZONE. NO CONTROL VALVES ALLOWED DOWNSTREAM (AFTER) AND AVB.
2. EACH AVB MUST BE INSTALLED A MINIMUM OF 6" ABOVE THE HIGHEST POINT OF WATER IN THE ZONE IT SERVES.
3. NO CHEMICAL FERTILIZER MAY BE INTRODUCED INTO AN IRRIGATION SYSTEM EQUIPPED WITH AN AVB.
4. NO PUMPS, AIR FITTINGS OR BACK PRESSURE SOURCE IS ALLOWED ON THE DOWNSTREAM SIDE (AFTER) AN AVB.
5. MUST BE PROTECTED FROM FREEZING.

REVISED FEBRUARY 2023

<b>FILE NAME</b>		<b>STANDARD AVB (ATMOSPHERIC VACUUM BREAKER)</b>	
<b>22W</b>			
<b>SHEET</b>	<b>1 OF 1</b>	<b>STANDARD DETAILS</b>	