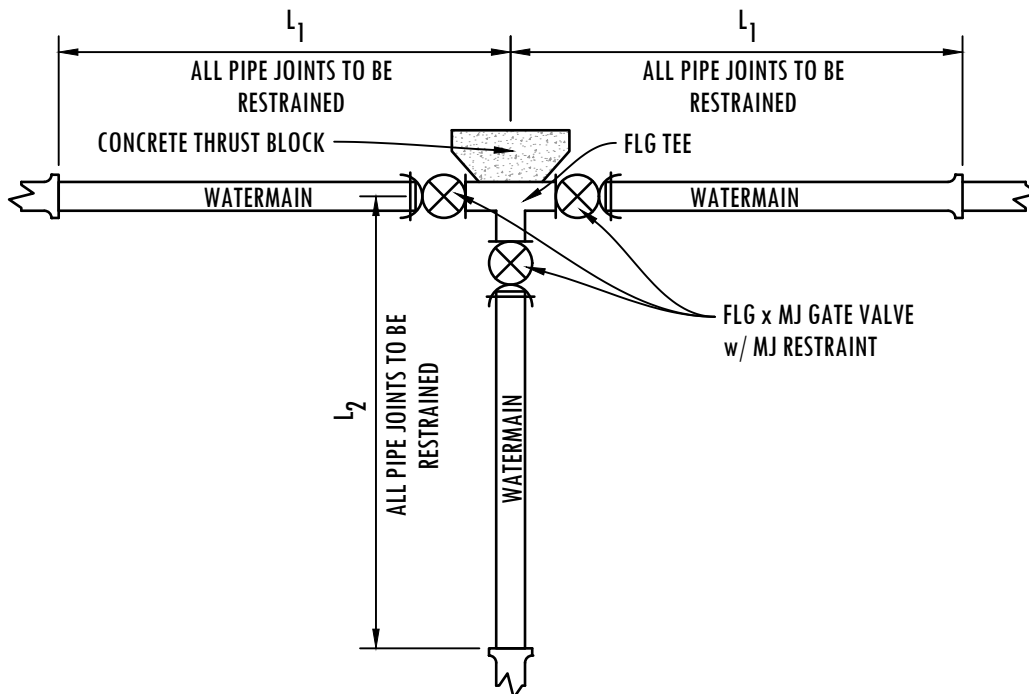


PVC PIPE			
PIPE SIZE	L <sub>1</sub>	L <sub>2</sub>	L <sub>3</sub>
6"	12'	12'	12'
8"	15'	15'	15'
12"	20'	20'	20'
16"	20'	52'	52'

DIP PIPE (WITHOUT POLY BAG ENCASEMENT)			
PIPE SIZE	L <sub>1</sub>	L <sub>2</sub>	L <sub>3</sub>
6"	10'	10'	10'
8"	14'	14'	14'
12"	19'	19'	19'
16"	20'	34'	34'

NOTE: THESE ARE THE MINIMUM PIPE RESTRAINT LENGTHS UNLESS STATED OTHERWISE ON THE PLANS



REVISED 04/17/2020

FILE NAME		TYPICAL FITTING & VALVE INSTALLATION DETAIL	
25W			
SHEET	1 OF 1	STANDARD DETAILS	