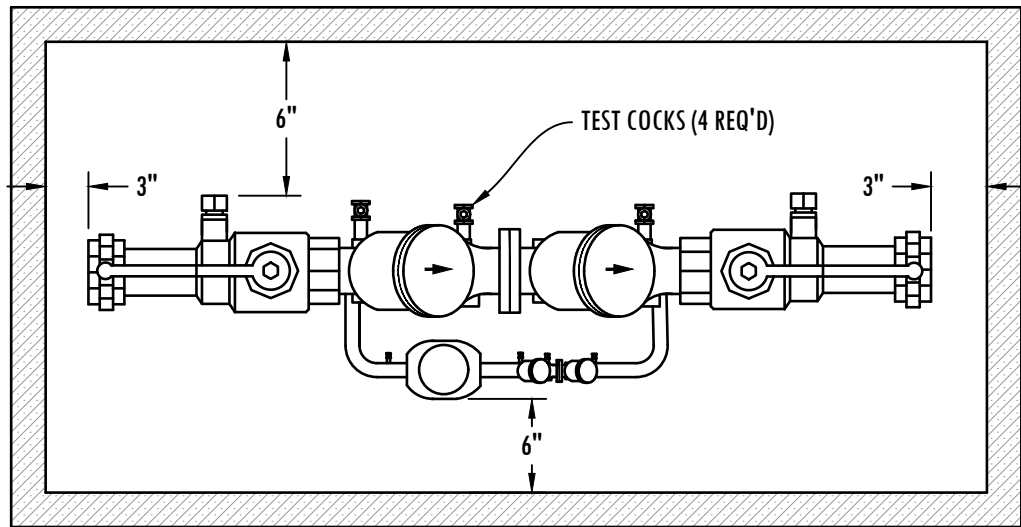
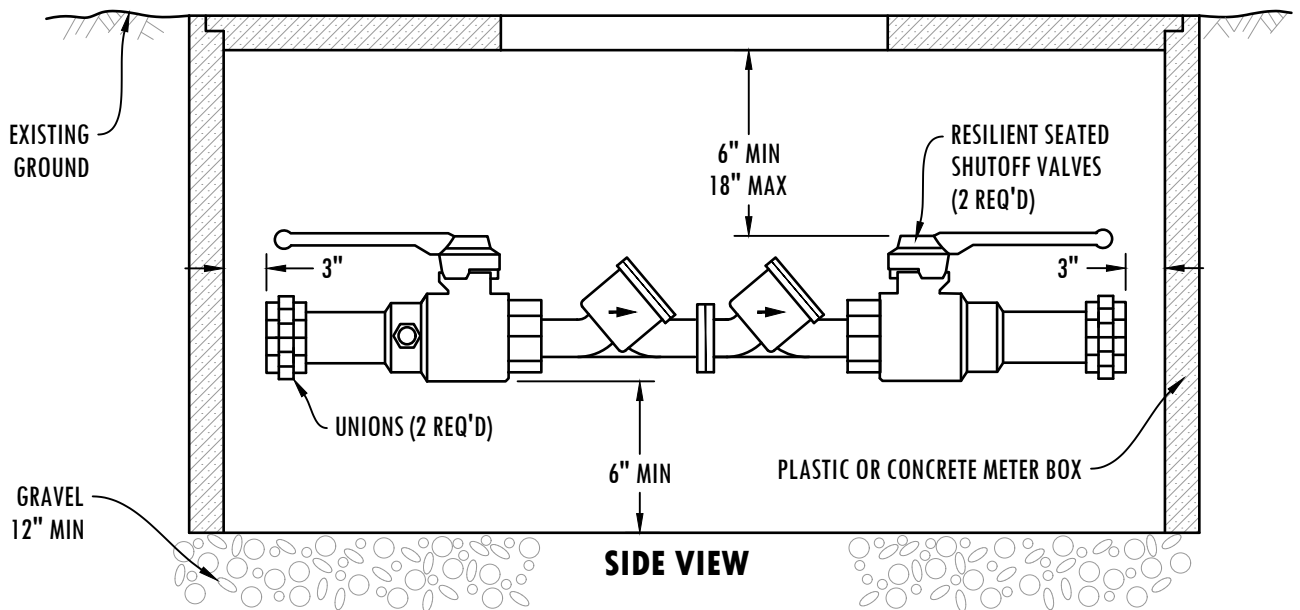


**BELOW GROUND  
INSTALLATION**



**TOP VIEW**



**SIDE VIEW**

**NOTES:**

1. APPROVED DOUBLE CHECK VALVE ASSEMBLY TO LAY HORIZONTAL WITH GROUND.
2. DESIGNED FOR BACK SIPHONAGE AND BACK PRESSURE.
3. TEST COCKS TO EITHER FACE OUTWARDS OR UPWARDS FROM ASSEMBLY.
4. DISINFECT, PRESSURE TEST AND THOROUGHLY FLUSH LINES PRIOR TO INSTALLATION OF BACKFLOW PREVENTER.
5. THE DCVA MAY BE INSTALLED ABOVE OR BELOW THE GROUND PROVIDED ALL CLEARANCES ARE MET
6. DO NOT INSTALL IN AN AREA SUBJECT TO FLOODING.
7. MUST BE PROTECTED FROM FREEZING CONDITIONS.
8. THE BACKFLOW ASSEMBLY SHALL BE A STATE APPROVED MODEL.
9. A PLUMBING PERMIT IS REQUIRED. PLEASE CONTACT YOUR LOCAL PLUMBING PERMIT CENTER.
10. MUST BE TESTED AFTER INSTALLATION AND YEARLY THEREAFTER BY A WASHINGTON STATE CERTIFIED BACKFLOW ASSEMBLY TESTER. TEST RESULTS SHALL BE SENT TO CLARK PUBLIC UTILITIES WATER SERVICES.

REVISED 04/17/2020

<b>FILE NAME</b>		<b>STANDARD DCDA (DOUBLE CHECK DETECTOR ASSEMBLY) 2" &amp; SMALLER</b>	<b>Clark Public Utilities</b> 
<b>16W</b>			
<b>SHEET</b>	<b>1 OF 1</b>	<b>STANDARD DETAILS</b>	