

1790

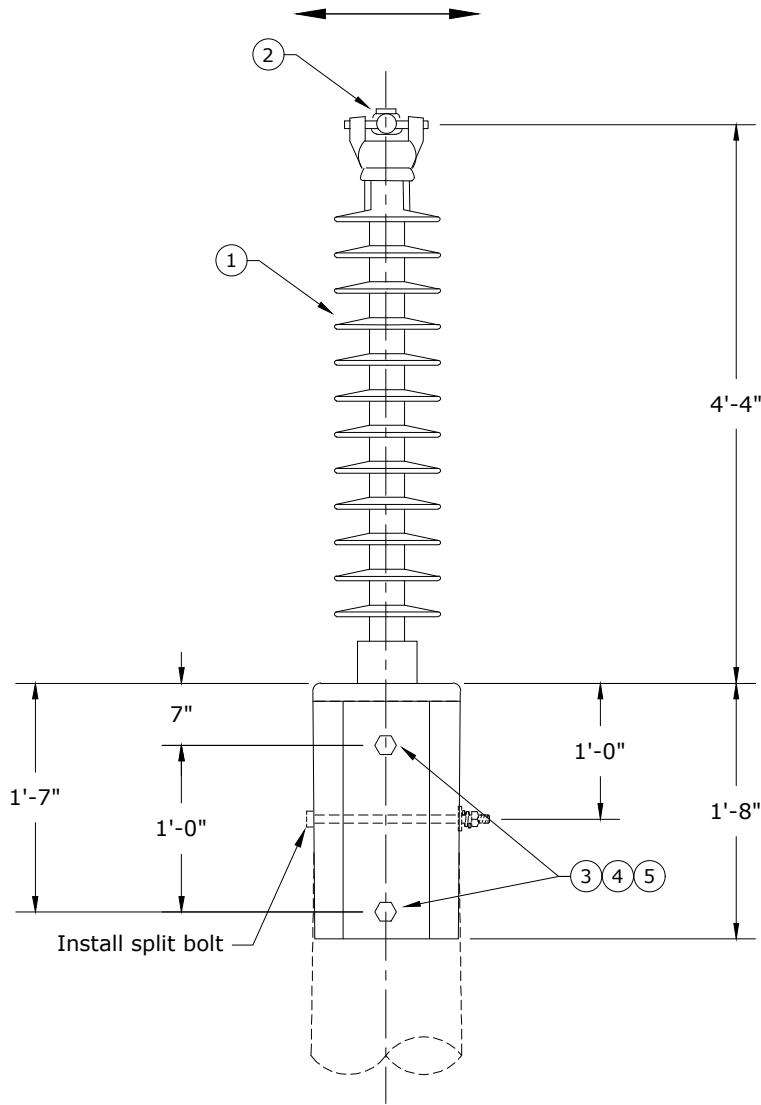
TRANSMISSION BASIC UNITS

5/4/2020

C	TPR1, -LC	Vertical Line Post Insulator
C	TPR2, -LC	Horizontal Line Post Insulator
C	TPR3, -LC	Double Horizontal Line Post Insulator
C	TPR4, -P	Suspension Insulator Swing Corner
C	TPR5	Deadend Assembly 336 ACSR to 900 ACSR Bare
C	TPR5P	Deadend Assembly 1557 ACSR/TW
N	TPR6	Double Deadend Assembly 336 ACSR to 900 ACSR Bare

N	New Standard
R	Redrawn Standard
C	Changed Standard
~	No Change

ULTIMATE CANTILEVER
3180 lb



Note: For 336 ACSR or 397 AAC bare, use Std TPR1LC.

Rev. 3 - Updated Ultimate Cantilever rating.

ITEM NO.	DESCRIPTION	TPR1		TPR1LC *	
		QTY.	S/N	QTY.	S/N
1	Insulator, Line Post Vertical, 115kV, 3180 lb Ultimate Cantilever	1	2345	1	2345
2	Clamp, Clamptop, 795 AAC to 1557 ACSR/TW Bare	1	317	1	316
3	Bolt, Machine, 7/8" x 16", Galv., 25,400 lb Ultimate Tensile	2	1901	2	1901
4	Washer, Curved, Cast, 4" x 6"	2	1911	2	1911
5	Washer, Lock, Spring, Double Coil, Galv., 7/8"	2	2351	2	2351



CONSTRUCTION STANDARDS

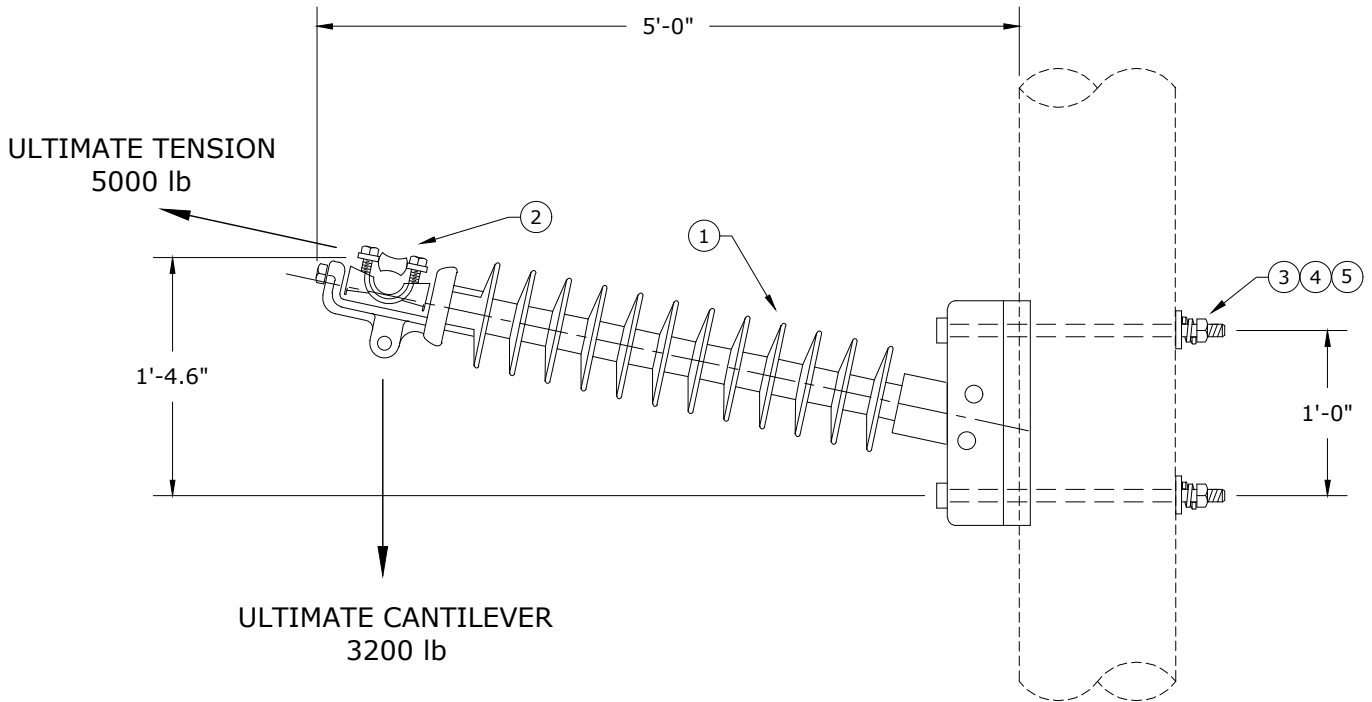
115kV TRANSMISSION BASIC UNITS
VERTICAL LINE POST INSULATOR
795 AAC TO 1557 ACSR/TW BARE

PAGE:
1 of 1

TPR1,TPR1LC

CAD FILE:
TPR1

REVISIONS			
△	DATE	ENGR	OPS
1	3/28/02	HWH	DLK
2	1/4/17	CM	DK
3	5/4/20	JK	
△			
APP:		SECTION	
DATE: 8/1/01		1790	



Note: For 336 ACSR or 397 AAC bare, use Std TPR2LC.

Rev. 3 - Updated Ultimate Cantilever rating.

ITEM NO.	DESCRIPTION	TPR2		TPR2LC *	
		QTY.	S/N	QTY.	S/N
1	Insulator, Line Post Horizontal, 115kV, 3200 lb Ultimate Cantilever	1	2346	1	2346
2	Clamp, Clamptop, 795 AAC to 1557 ACSR/TW Bare	1	317	1	316
3	Bolt, Machine, 7/8" x 16", Galv., 25,400 lb Ultimate Tensile	2	1901	2	1901
4	Washer, Curved, Cast, 4" x 6"	2	1911	2	1911
5	Washer, Lock, Spring, Double Coil, Galv., 7/8"	2	2351	2	2351



CONSTRUCTION STANDARDS

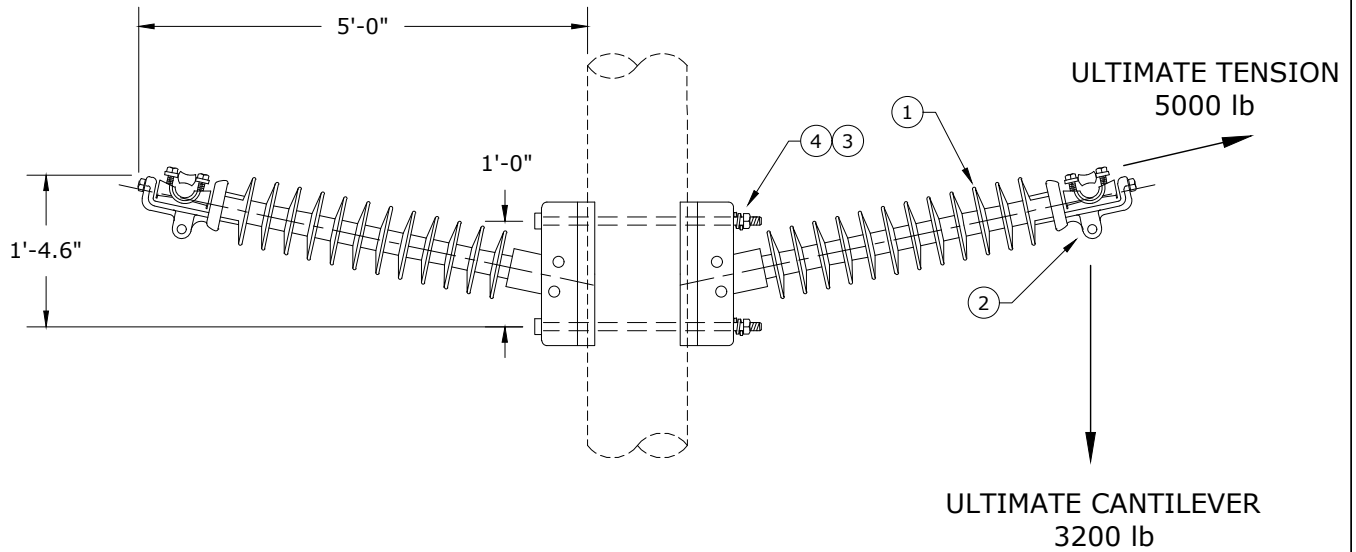
115kV TRANSMISSION BASIC UNITS
HORIZONTAL LINE POST INSULATOR
795 AAC TO 1557 ACSR/TW BARE

PAGE:
1 of 1

TPR2, TPR2LC

CAD FILE:
TPR2

REVISIONS			
Δ	DATE	ENGR	OPS
1	2/22/00	REDRAWN	IN CAD
2	1/4/17	CM	DK
3	5/4/20	JK	
Δ			
APP:		SECTION	
DATE: 1/31/82		1790	



Note: For 336 ACSR or 397 AAC bare, use Std TPR3LC.

Rev. 3 - Updated Ultimate Cantilever rating.

ITEM NO.	DESCRIPTION	TPR3		TPR3LC *	
		QTY.	S/N	QTY.	S/N
1	Insulator, Line Post Horizontal, 115kV, 3200 lb Ultimate Cantilever	2	2346	2	2346
2	Clamp, Clamptop, 795 AAC to 1557 ACSR/TW Bare	2	317	2	316
3	Bolt, Machine, 7/8" x 22", Galv., 25,400 lb Ultimate Tensile	2	1904	2	1904
4	Washer, Lock, Spring, Double Coil, Galv., 7/8"	2	2351	2	2351



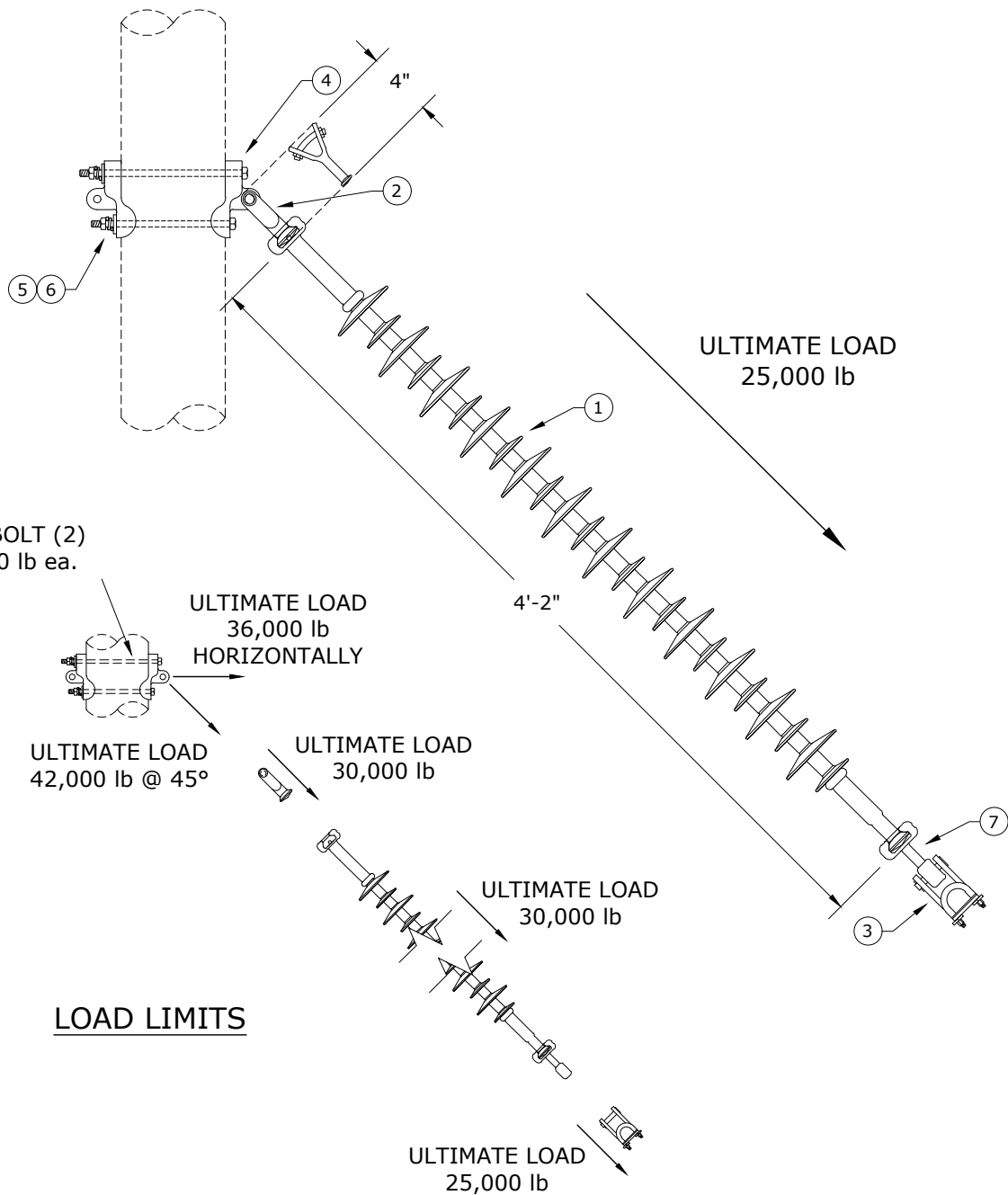
CONSTRUCTION STANDARDS
 115kV TRANSMISSION BASIC UNITS
 DOUBLE HORIZONTAL POST INSULATORS
 795 AAC TO 1557 ACSR/TW BARE

REVISIONS			
△	DATE	ENGR	OPS
1	3/28/02	HWH	DLK
2	1/4/17	CM	DK
3	5/4/20	JK	
△			
APP:		SECTION	
DATE: 8/1/01		1790	

PAGE:
1 of 1

TPR3,TPR3LC

CAD FILE:
TPR3



LOAD LIMITS

Note: For 1557 ACSR/TW bare, use Std TPR4P.

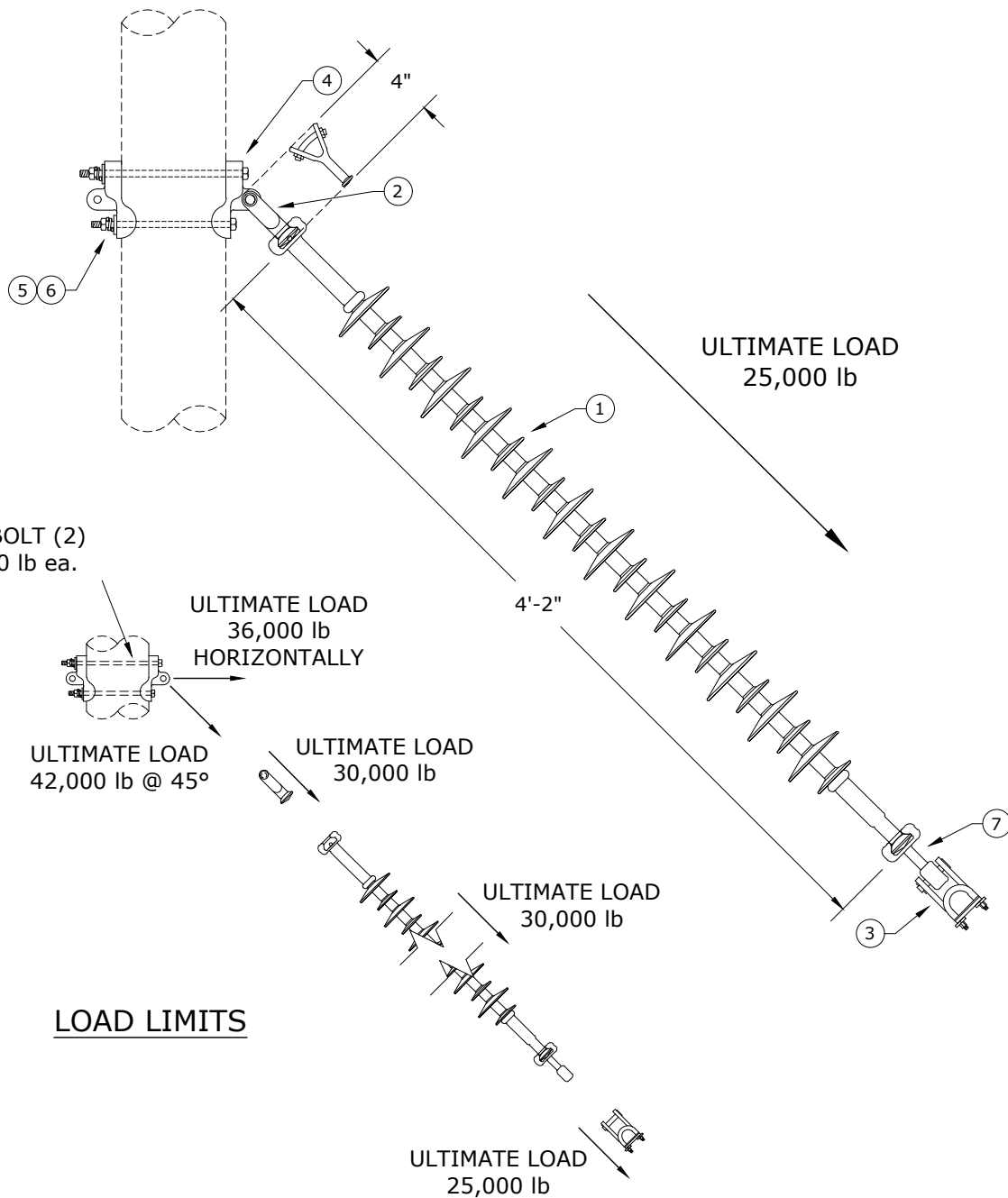
Rev. 2 - Deleted TPR4A w/ split bolt, updated material, added note and TPR4P.

ITEM NO.	DESCRIPTION	TPR4		TPR4P *	
		QTY.	S/N	QTY.	S/N
1	Insulator, Suspension, Polymer, 115kV, 30,000 lb Ultimate	1	2350	1	2350
2	Clevis, Y-Ball, 30,000 lb Ultimate	1	320	1	320
3	Clamp, Suspension, 336 ACSR To 900 ACSR Bare, 25,400 lb Ultimate	1	307	1	308
4	Plate, Pole Eye, 36,000 lb Ultimate	2	1908	2	1908
5	Bolt, Machine, 7/8" x 16", Galv., 25,400 lb Ultimate	2	1901	2	1901
6	Washer, Lock, Spring, Double Coil, Galv., 7/8"	2	2351	2	2351
7	Socket/Eye, 13/16" Eye, 1" Wide Base	1	1681	1	1681



CONSTRUCTION STANDARDS
115kV TRANSMISSION BASIC UNITS
SUSPENSION INSULATOR-SWING CORNER
336 ACSR TO 900 ACSR BARE

REVISIONS			
DATE	ENGR	OPS	
3/28/02	HWH	DLK	1
1/4/17	CM	DK	2



LOAD LIMITS

Note: For 1557 ACSR/TW bare, use Std TPR4P.

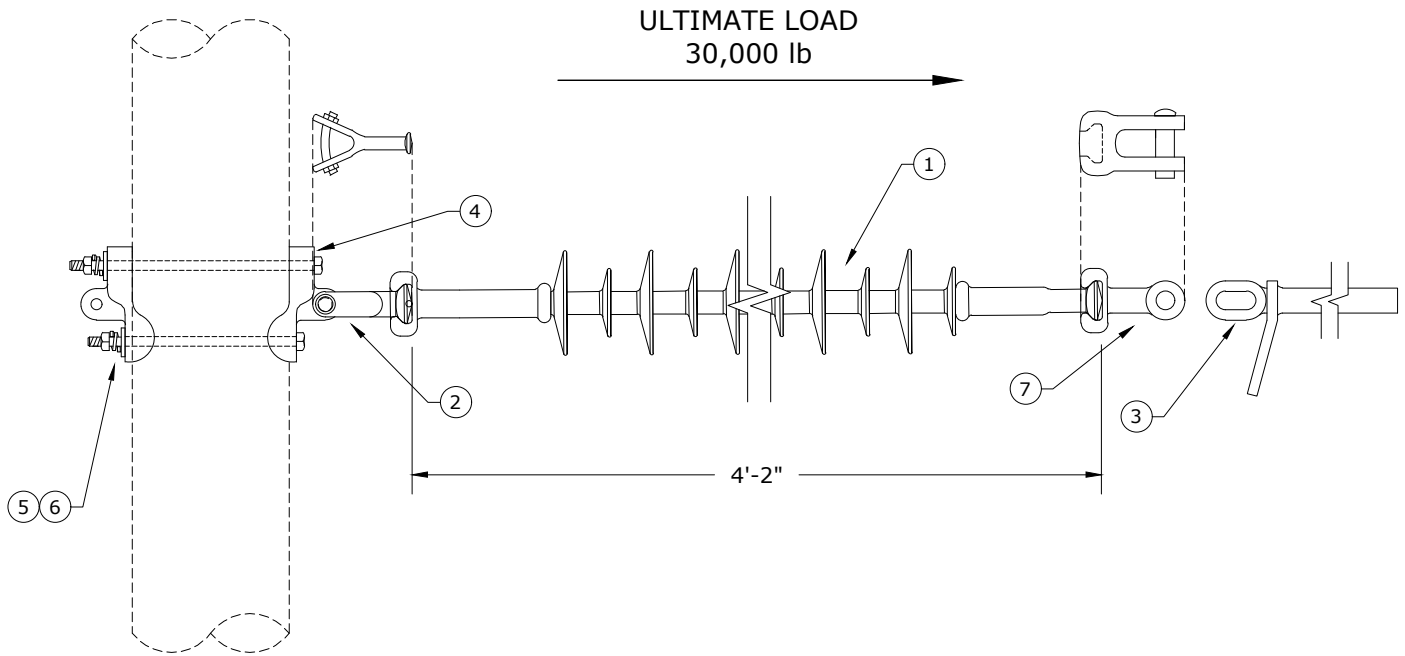
Rev. 3 - Updated suspension clamp rating.

ITEM NO.	DESCRIPTION	TPR4		TPR4P	
		QTY.	S/N	QTY.	S/N
1	Insulator, Suspension, Polymer, 115kV, 30,000 lb Ultimate	1	2350	1	2350
2	Clevis, Y-Ball, 30,000 lb Ultimate	1	320	1	320
3	Clamp, Suspension, 336 ACSR To 900 ACSR Bare, 25,000 lb Ultimate *	1	307	1	308
4	Plate, Pole Eye, 36,000 lb Ultimate	2	1908	2	1908
5	Bolt, Machine, 7/8" x 16", Galv., 25,400 lb Ultimate	2	1901	2	1901
6	Washer, Lock, Spring, Double Coil, Galv., 7/8"	2	2351	2	2351
7	Socket/Eye, 13/16" Eye, 1" Wide Base	1	1681	1	1681



CONSTRUCTION STANDARDS
 115kV TRANSMISSION BASIC UNITS
 SUSPENSION INSULATOR-SWING CORNER
 336 ACSR TO 900 ACSR BARE

REVISIONS			
Δ	DATE	ENGR	OPS
1	3/28/02	HWH	DLK
2	1/4/17	CM	DK
3	2/11/19	KJP	



Rev. 1 - Changed from TSVDE-P to TPR5P.

ITEM NO.	DESCRIPTION	TPR5P	
		QTY.	S/N
1	Insulator, Suspension, Polymer, 115kV, 30,000 lb Ultimate	1	2350
2	Clevis, Y-Ball, 30,000 lb Ultimate	1	320
3	Deadend Compression, W/ Jumper, Terminal Pad, 1557 ASCR/TW	1	2421
4	Plate, Pole Eye, 36,000 lb Ultimate	2	1908
5	Bolt, Machine, 7/8" x 16", Galv., 25,400 lb Ultimate	2	1901
6	Washer, Lock, Spring, Double Coil, Galv., 7/8"	2	2351
7	Clevis, Socket, 30,000 lb Ultimate	1	333



CONSTRUCTION STANDARDS
 115kV TRANSMISSION BASIC UNITS
 DEADEND ASSEMBLY
 1557 ASCR/TW

REVISIONS			
DATE	ENGR	OPS	
1/4/17	CM	DK	

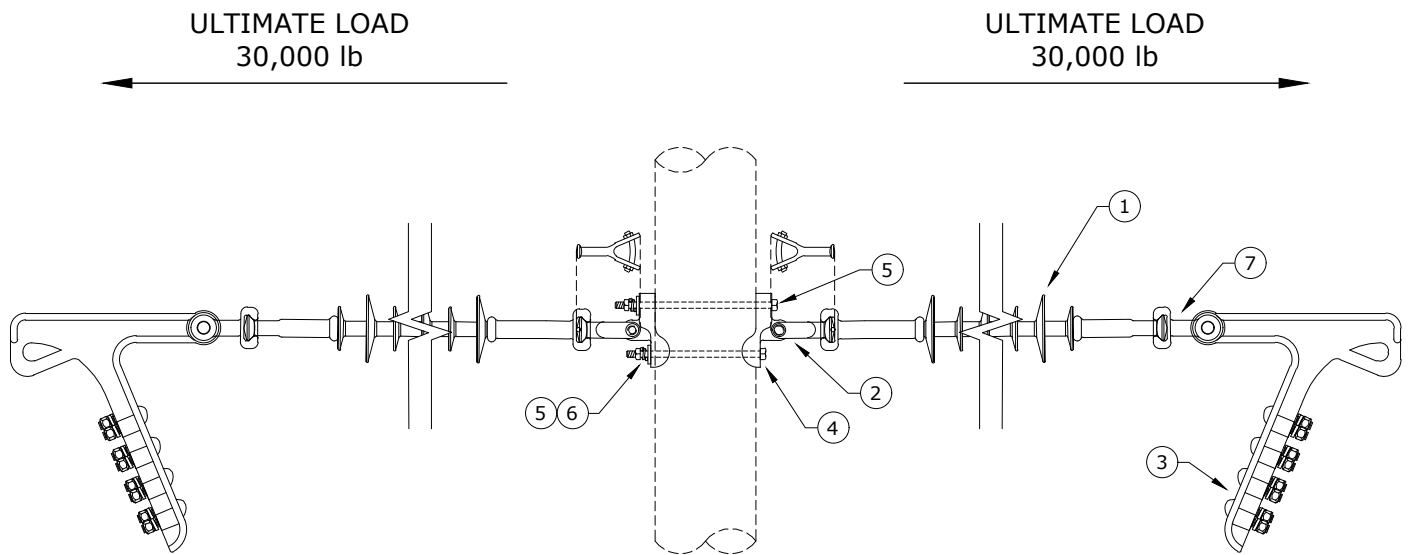
PAGE:
1 of 1

TPR5P

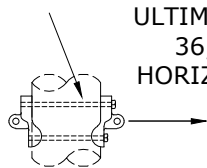
CAD FILE:
TPR5P

APP:
DATE: 5/6/1996

SECTION
1790



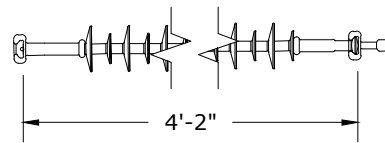
7/8" BOLT (2)
25,400 lb ea.



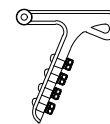
ULTIMATE LOAD
36,000 lb
HORIZONTALLY

ULTIMATE LOAD
30,000 lb

ULTIMATE LOAD
30,000 lb



ULTIMATE LOAD
30,000 lb



LOAD LIMITS

Note: For 1557 ACSR/TW bare, use Std TPR5P.

ITEM NO.	DESCRIPTION	TPR6	
		QTY.	S/N
1	Insulator, Suspension, Polymer, 115kV, 30,000 lb Ultimate	2	2350
2	Clevis, Y-Ball, 30,000 lb Ultimate	2	320
3	Clamp, Strain, 336 ACSR to 900 ACSR, D.E., 30,000 lb Ultimate	2	2467
4	Plate, Pole Eye, 36,000 lb Ultimate	2	1908
5	Bolt, Machine, 7/8" x 16", Galv., 25,400 lb Ultimate	2	1901
6	Washer, Lock, Spring, Double Coil, Galv., 7/8"	2	2351
7	Socket/Eye, 13/16" Eye, 1" Wide Base	2	1681



CONSTRUCTION STANDARDS

115kV TRANSMISSION BASIC UNITS
DOUBLE DEADEND ASSEMBLY
336 ACSR TO 900 ACSR BARE

PAGE:
1 of 1

TPR6

CAD FILE:
TPR6

REVISIONS			
DATE	ENGR	OPS	

APP:	CM/DK	SECTION
DATE:	1/4/17	1790