

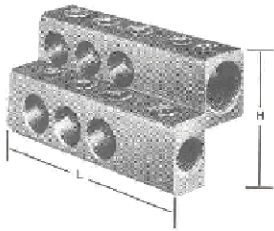
1700

UNDERGROUND SECONDARY CONNECTIONS

5/30/2007

~	UB30-UB60	Basic Units - Underground Secondary
C	UBDR	120/240 Temporary Pedestal Mounted BDR
~	UED6	Secondary Pedestal Assembly
~	US-1	UG Secondary Splice
~	US6	Padmount Transformer Assembly Single Phase Secondary
~	US35-US38	Secondary Connectors 3-Phase Padmount Transformer

N	New Standard
R	Redrawn Standard
C	Changed Standard
~	No Change



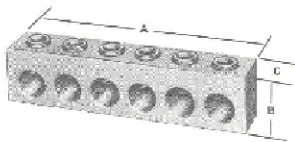
Single Phase Padmount Transformer Terminal

UB30's	Material Descriptions	TDM #	Const. Spec.
	Connector PTL 4-250 UG Al/Cu 6 to 4/0	1439	UB30
	Connector PTL 4-350 UG Al/Cu 6 to 350	539	UB31
	Connector PTL 6-250 UG Al/Cu 6 to 4/0	540	UB32
	Connector PTL 6-350 UG Al/Cu 6 to 350	541	UB33
	Connector PTL 6-500 UG Al/Cu 2 to 500	542	UB34



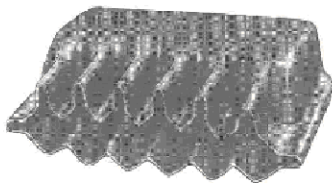
Three Phase Padmount Transformer Terminal

See US35 through US40 for Three Phase Padmount Transformer Terminals



Pedestal and Junction Box Connector

UB50's	Material Descriptions	TDM #	Const. Spec.
	Connector PTL 4-250 UG Al/Cu 6 to 4/0	527	UB50
	Connector PTL 4-350 UG Al/Cu 6 to 350	528	UB51
	Connector PTL 4-500 UG Al/Cu 2 to 500	529	UB52
	Connector PTL 6-250 UG Al/Cu 6 to 4/0	530	UB53
	Connector PTL 6-350 UG Al/Cu 6 to 350	531	UB54
	Connector PTL 6-500 UG Al/Cu 2 to 500	532	UB55
	Connector PTL 6-750 UG Al/Cu 350 to 750	533	UB56
	Connector PTL 8-500 UG Al/Cu 2 to 500	534	UB57
	Connector PTL 8-750 UG Al/Cu 2 to 750	535	UB58



PTL, PET, PED Cover

UB60's	Material Descriptions	TDM #	Const. Spec.
	Cover, Connector 4-350 UG	573	UB60
	Cover, Connector 6-500 UG	574	UB61
	Cover, Connector 8-500 UG	575	UB62
	Cover, Connector 8-750 UG	576	UB63



CONSTRUCTION STANDARDS

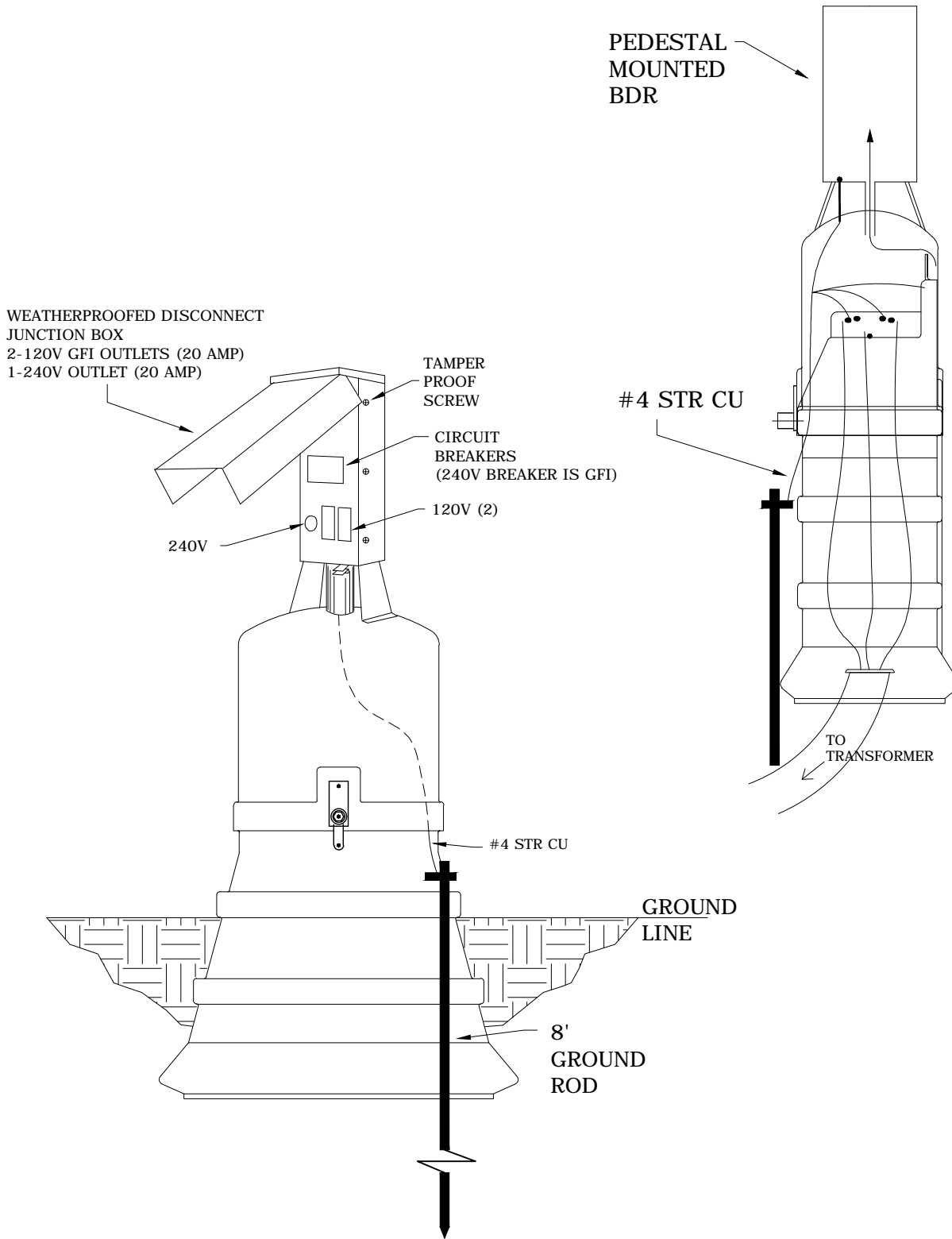
BASIC UNITS UNDERGROUND SECONDARY

PAGE:
1 of 1

UB30, UB40, UB50, UB60

CAD FILE:
UB30

REVISIONS			
△	DATE	ENGR	OPS
3	8/16/02		
△ REDRAWN IN CAD			
APP:	ELM	SECTION	
DATE:	1/22/80	1700	



CONNECTION DIAGRAM

REV 2: Removed note



CONSTRUCTION STANDARDS

120/240 TEMPORARY
PEDESTAL MOUNTED BDR

REVISIONS			
NO.	DATE	ENGR	OPS
0	2/23/00	HWH	MA
1	4/26/04	LB	AH
2	5/30/07	LB	AH

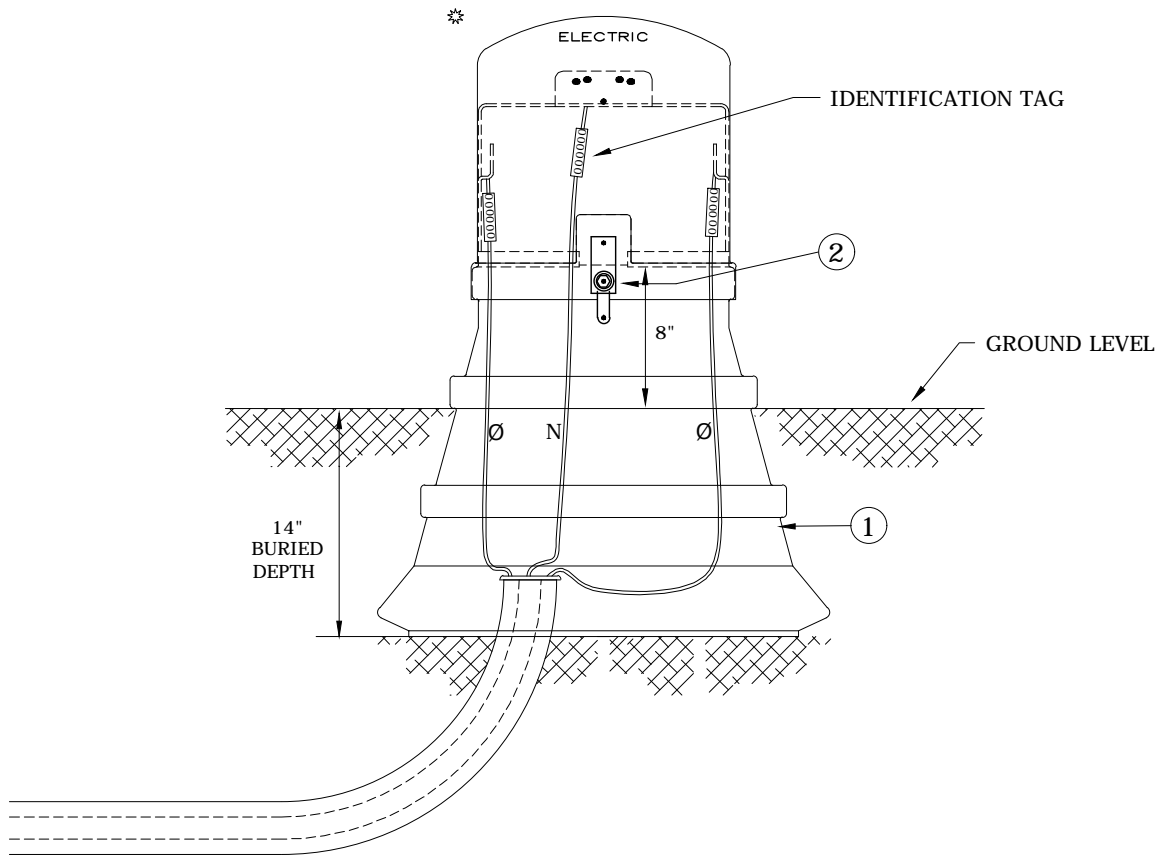
PAGE:
1 of 1

UBDR

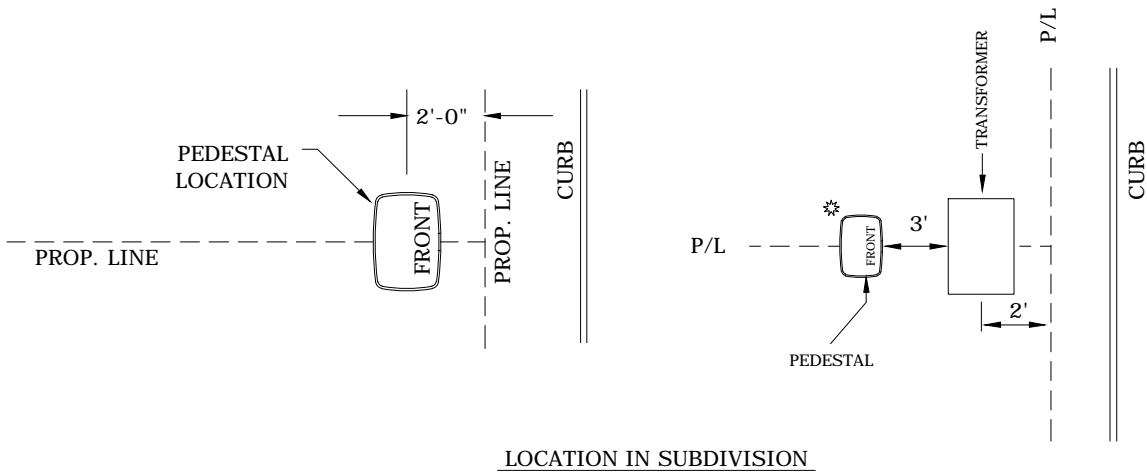
CAD FILE:
UBDR

APP: JEH
DATE: 2/22/00

SECTION
1700



NOTE: LEAVE SLACK IN WIRE TO ALLOW FOR SETTLING.

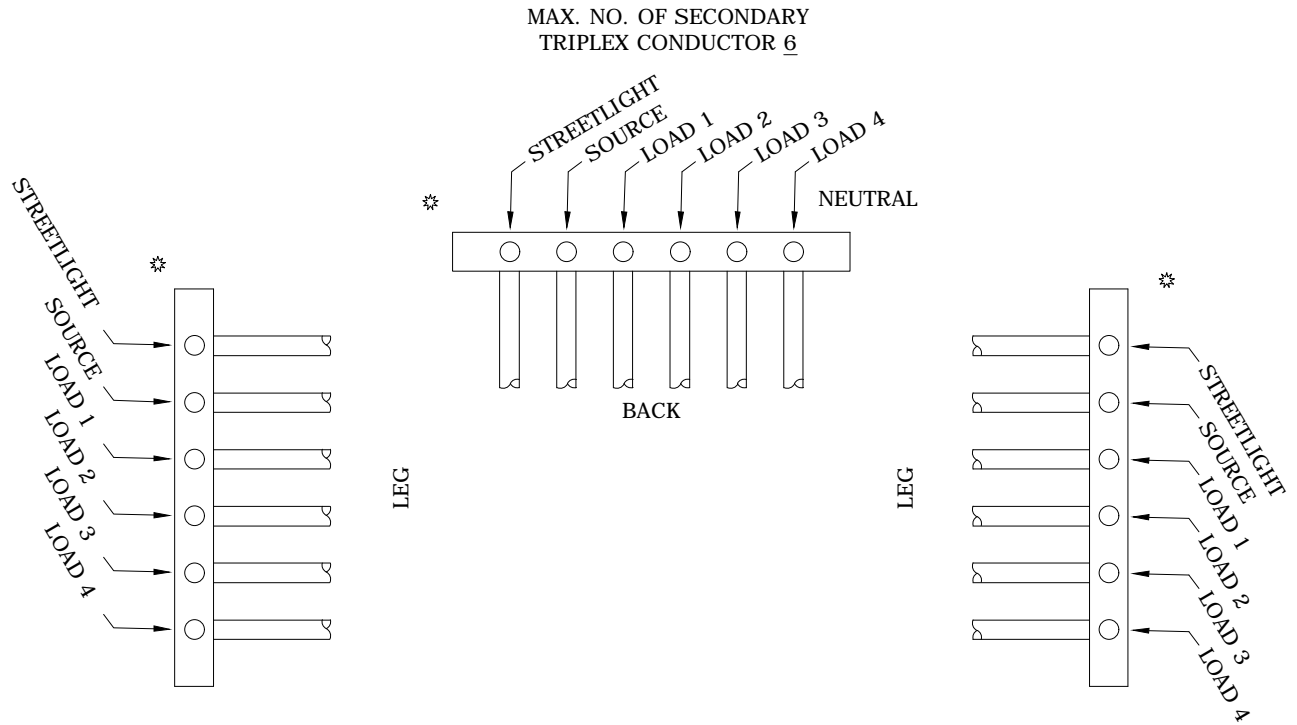


REV 1: CHANGED TO ABOVEGROUND PEDESTAL



CONSTRUCTION STANDARDS
SECONDARY PEDESTAL ASSEMBLY

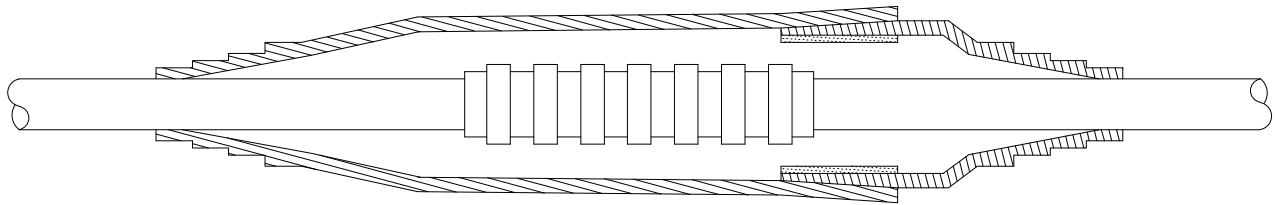
REVISIONS			
Δ	DATE	ENGR	OPS
0	2/23/00	HWH	MA
1	4/26/04	LB	AH
Δ			
APP:	HWH/ELM	SECTION	
DATE:	1980	1700	



ITEM NO.	DESCRIPTION	UED4	
		QTY.	S/N
1	Pedestal, Secondary, aboveground W/ PED6 Connectors and Covers	1	2562
2	Lock, Equipment U.G.	1	837

REV 1: CHANGED TO ABOVEGROUND PEDESTAL

	CONSTRUCTION STANDARDS SECONDARY PEDESTAL ASSEMBLY		REVISIONS			
		DATE	ENGR	OPS		
	0	2/23/00	HWH	MA		
1	4/26/04	LB	AH			
PAGE: 2 of 2	UED6	CAD FILE: UED6	APP: HWH/ELM DATE: 1980	SECTION 1700		



APPLY SILICONE GREASE TO CABLES FOR EASE OF ASSEMBLY.

NOTES:

1. THIS SPLICE IS FOR ANY 600 VOLT OR LESS APPLICATION.
2. THIS SPLICE CAN BE DIRECTLY BURIED OR USED IN A HAND HOLE OR VAULT.
3. OTHER SIZES ARE AVAILABLE FOR SPECIAL APPLICATIONS.

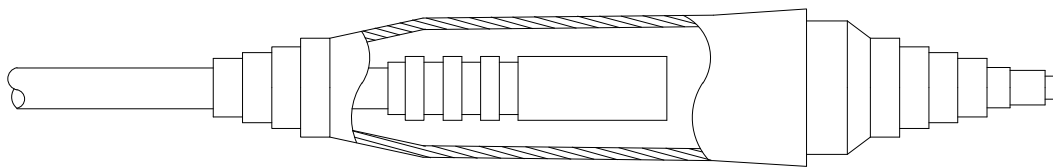
MATERIAL LIST

US-1

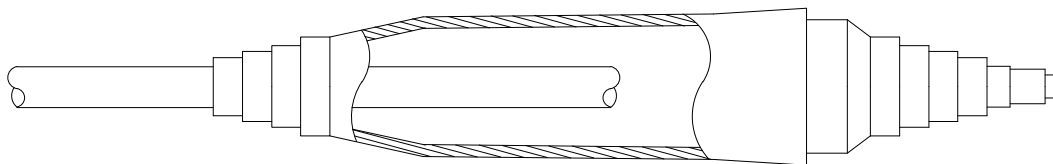
ITEM	QTY.	DESCRIPTION	SIN
1	1	SPLICE KIT, 600V, U.G.	1215
2	1	CONNECTOR, SLEEVE	#

WIRE SIZE	#SIN
2/0 AL	1166
4/0 AL	1167
350 AL	1169
2/0-4/0 AL	1454
4/0-350 AL	1455

OTHER USES



HALF-READY SPLICE



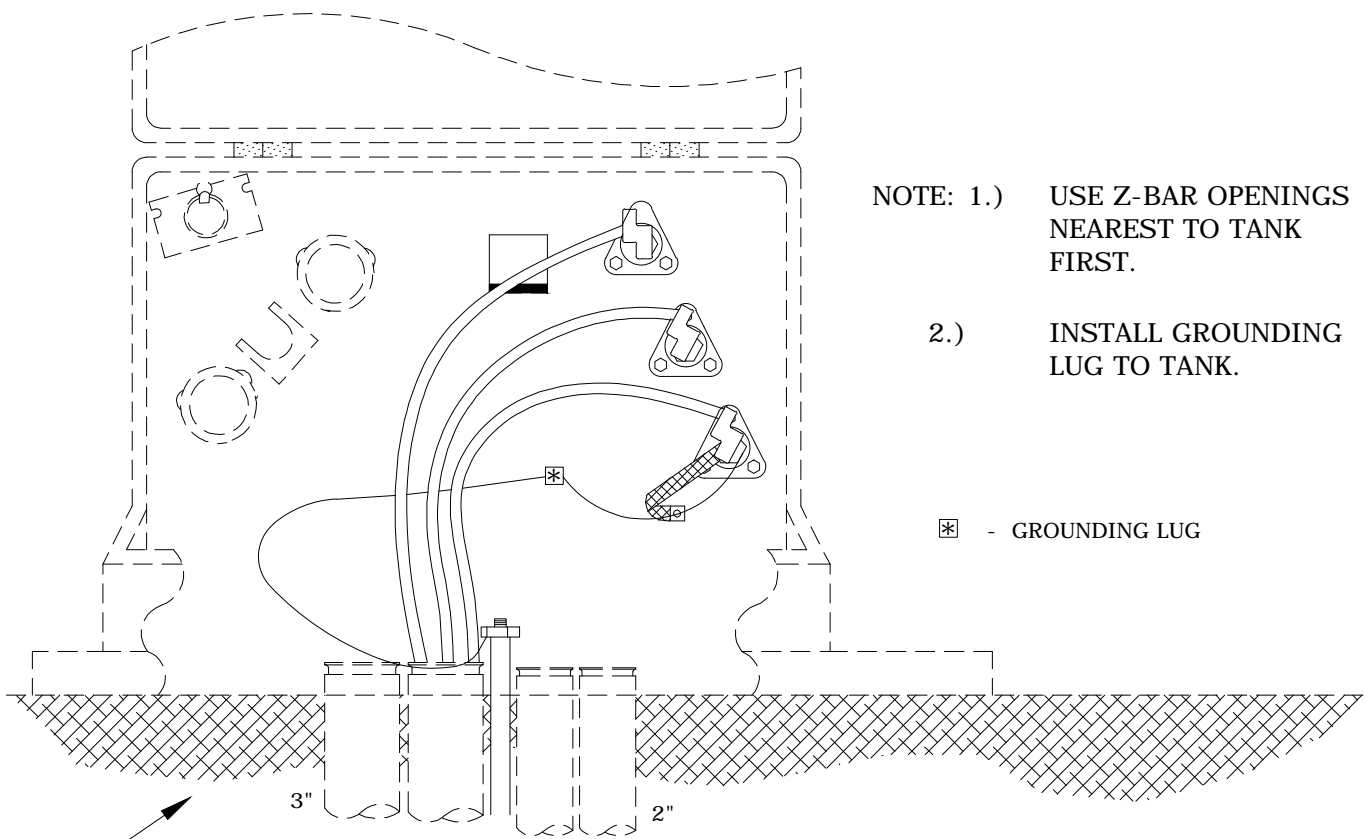
CABLE CAP



CONSTRUCTION STANDARDS
UNDERGROUND SECONDARY
SPLICE

REVISIONS

REV	DATE	ENGR	OPS
0	2/23/00	HWH	MA

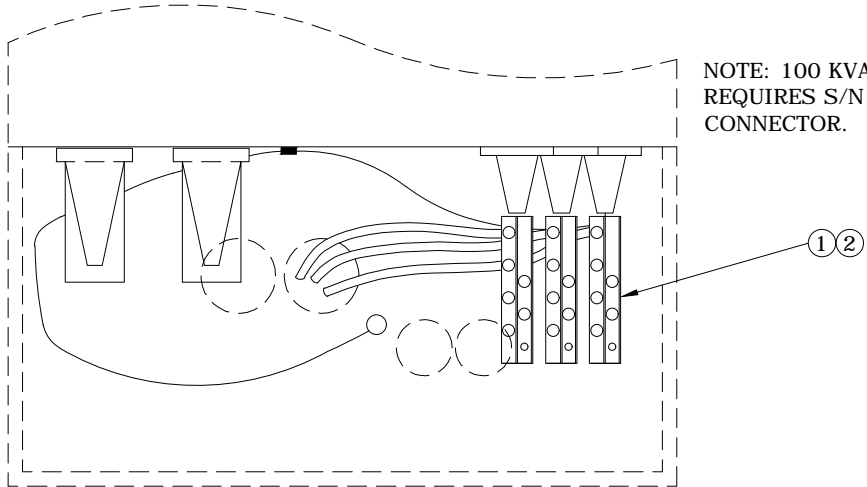


- NOTE: 1.) USE Z-BAR OPENINGS NEAREST TO TANK FIRST.
- 2.) INSTALL GROUNDING LUG TO TANK.

☒ - GROUNDING LUG

SECONDARY CONDUITS AS NEEDED (MAXIMUM 6)

FRONT VIEW OF TRANSFORMER



NOTE: 100 KVA TRANSFORMER REQUIRES S/N #2318 FOR Z-BAR CONNECTOR. *

TOP VIEW OF PAD WINDOW (SHOWING CONDUIT AND CONDUCTOR LOCATION)

- REV 1 - ADDED GROUNDING LUG; CHANGED Z-BAR POSITION
- REV 2 - UPDATED FOR ALL-CONDUIT SYSTEM AND ADDED "NOTE" FOR 100KVA Z-BAR CONNECTORS.

ITEM NO.	DESCRIPTION	REVISIONS	
		QTY.	S/N
1	Connector, Z-Bar #2-500KCM + St. Lt.	3	2265
2	Cover, Connector, U.G.	3	2266

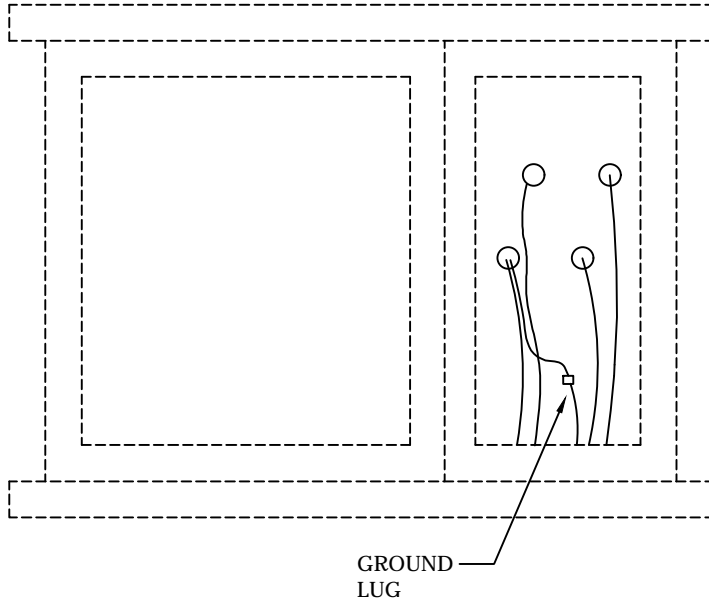


CONSTRUCTION STANDARDS
 PADMOUNT TRANSFORMER ASSEMBLY
 SINGLE PHASE SECONDARY

REV	DATE	ENGR	OPS
1	2/23/00	HWH	MA
2	12/29/04	LB	AH

△ ADDED GROUNDING LUG

APP: JEH	SECTION
DATE: 2/22/00	1700



US35
US36
US37
US38

NOTES:

1. THIS SPECIFICATION COVERS 3Ø PADMOUNTED TRANSFORMERS 75 THRU 1500KVA, 120/208 VOLTS AND 277/480 VOLTS.
2. CONDUCTOR SIZE RANGE IS 1/0 THRU 750 MCM.
3. SEE STD. UT30-UT32 IN SECTION 1400 FOR MOUNTING ARRANGEMENT.

Rev 1: Changed to Belleville Assembly

ITEM NO.	DESCRIPTION	US35	
		QTY.	S/N
1	Connector, PET, 6-750 Al/Cu 1/0 to 750	4	2129
2	1/2" Belleville Assembly, SS 2" Bolt and Washers W/ Bronze Nut	4	1389
5	Cover, Connector, 6-750	4	2176
ITEM NO.	DESCRIPTION	US36	
		QTY.	S/N
1	Connector, PET, 6-750 Al/Cu 1/0 to 750	4	2129
2	1/2" Belleville Assembly, SS 2 1/2" Bolt and Washers W/ Bronze Nut	4	2584
5	Cover, Connector, 6-750	4	2176
ITEM NO.	DESCRIPTION	US37	
		QTY.	S/N
1	Connector, PET, 8-750 Al/Cu 1/0 to 750	4	2181
2	1/2" Belleville Assembly, SS 2" Bolt and Washers W/ Bronze Nut	4	1389
5	Cover, Connector, 8-750	4	2182
ITEM NO.	DESCRIPTION	US38	
		QTY.	S/N
1	Connector, PET, 8-750 Al/Cu 1/0 to 750	4	2181
2	1/2" Belleville Assembly, SS 2 1/2" Bolt and Washers W/ Bronze Nut	4	2584
5	Cover, Connector, 8-750	4	2182



CONSTRUCTION STANDARDS
SECONDARY CONNECTORS
THREE PHASE PADMOUNT TRANSFORMERS

PAGE:
1 of 1

US35-US38

CAD FILE:
US35

REVISIONS			
△	DATE	ENGR	OPS
1	11/12/10	KJP	

△	APP: HWH/MA	SECTION
	DATE: 2/23/00	1700