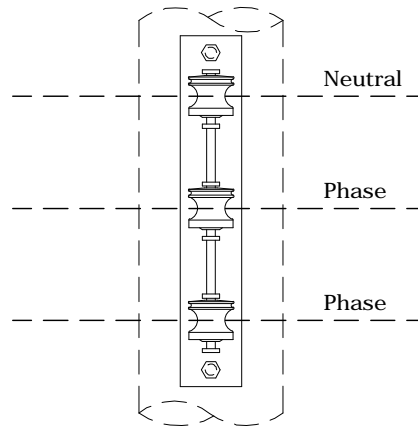
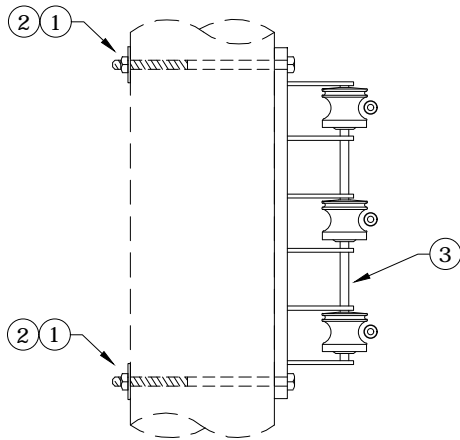


410

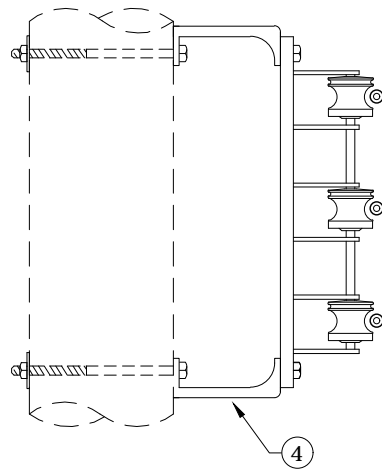
OVERHEAD SECONDARY

R	S15, S15A	3 Spool Secondary Rack Assembly
R	S16, S16A	4 Spool Secondary Rack Assembly
~	SE1, SE1A	Service Assemblies - Cable Terminations
~	SE2, SE2A, SE2B	Service Assemblies - Cable Terminations
~	SE3, SE3A	Service Assemblies - Cable Terminations
~	SE5	Service Extension Arm Assembly
~	SE6	Typical Heavy Service Detail (>4/0 Al Triplex or Quad)
~	SE7	Typical Service Take-Off - Crossarm Secondaries
~	SE8	Bridal Guy for Two or More Services
~	SE9	Bridal Guy for Single Service

N	New Standard
R	Redrawn Standard
C	Changed Standard
~	No Change



3 SPOOL RACK S15



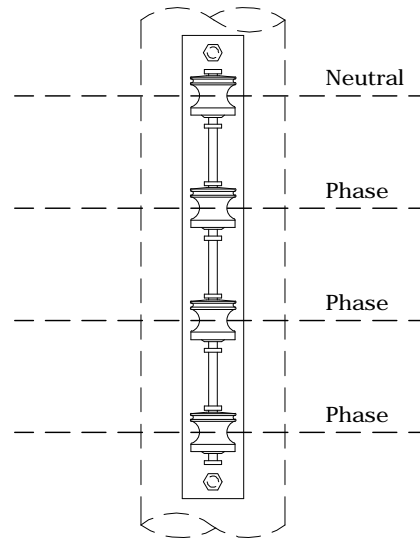
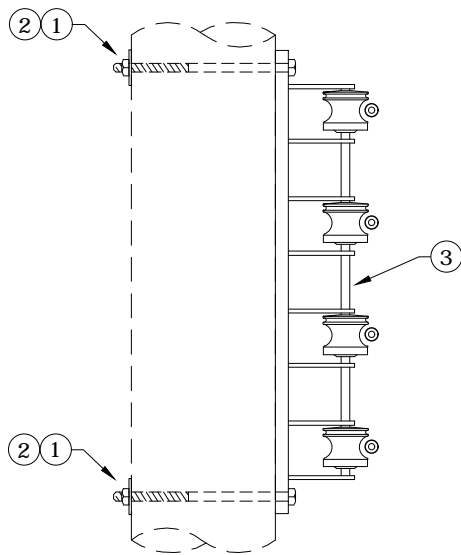
3 SPOOL RACK WITH EXTENSION S15A

ITEM NO.	DESCRIPTION	S15		S15A	
		QTY.	S/N	QTY.	S/N
1	Bolt, Machine 5/8" x 12"	2	155	2	155
2	Washer, Square, Flat, 5/8", 2 1/4" x 2 1/4"	2	1412	2	1412
3	Rack, Secondary 3 Spool	1	1062	1	1062
4	Bracket, Extension, Secondary Rack	-	-	2	N.S.

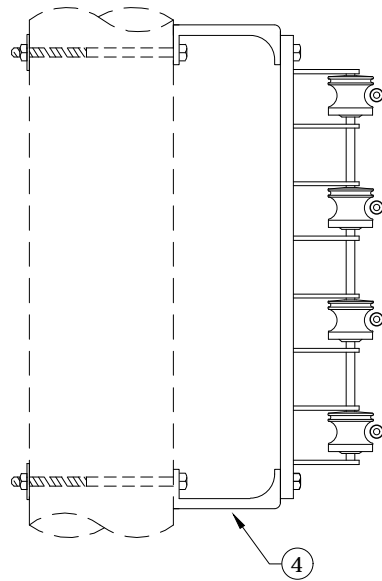


CONSTRUCTION STANDARDS
3 SPOOL
SECONDARY RACK ASSEMBLY

REVISIONS			
DATE	ENGR	OPS	
3/02			
△ REDRAWN IN CAD			
APP:	ELM	SECTION	
DATE:	1/31/80	410	



4 SPOOL RACK S16



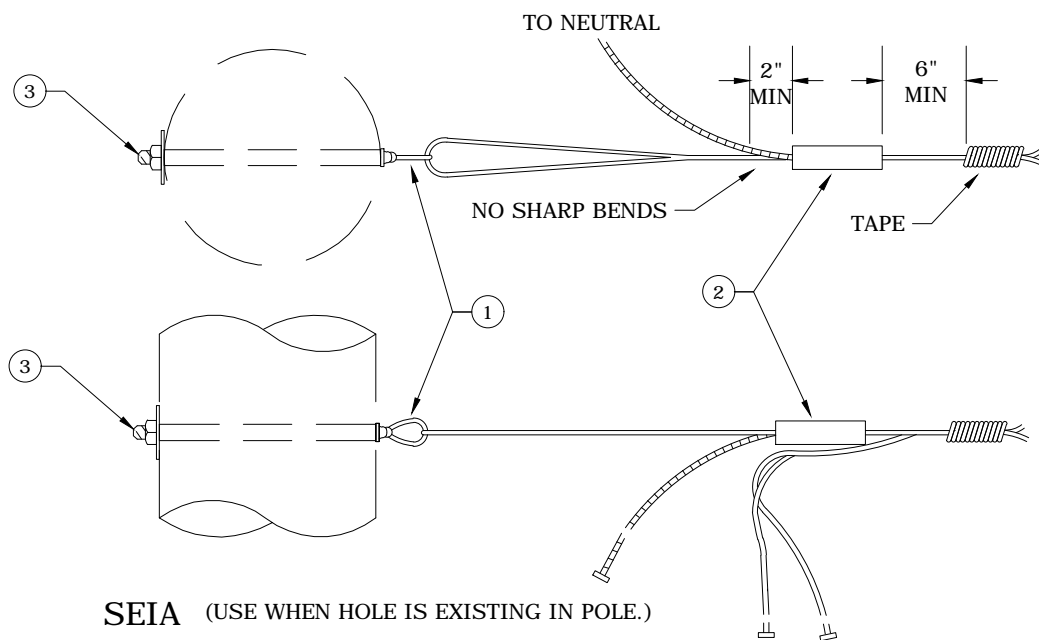
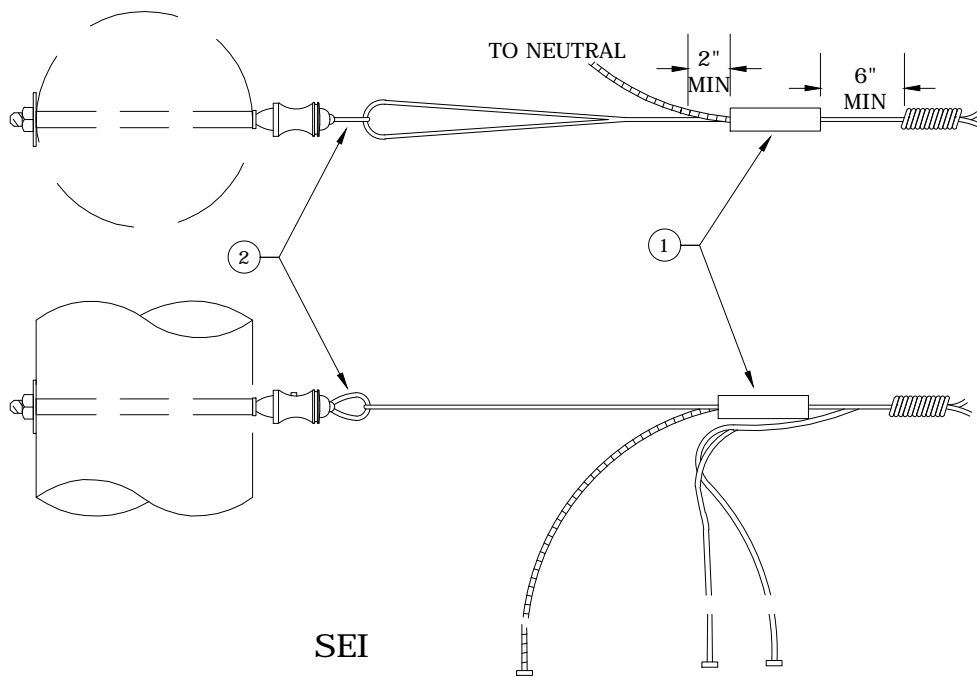
4 SPOOL RACK WITH EXTENSION S16A

ITEM NO.	DESCRIPTION	S16		S16A	
		QTY.	S/N	QTY.	S/N
1	Bolt, Machine 5/8" x 12"	2	155	2	155
2	Washer, Square, Flat, 5/8", 2 1/4" x 2 1/4"	2	1412	2	1412
3	Rack, Secondary 4 Spool	1	1063	1	1063
4	Bracket, Extension, Secondary Rack	-	---	2	N.S.



CONSTRUCTION STANDARDS
4 SPOOL
SECONDARY RACK ASSEMBLY

REVISIONS			
DATE	ENGR	OPS	
3/02			
△ REDRAWN IN CAD			
APP:	ELM	SECTION	
DATE:	1/31/80	410	



CONSTRUCTION STANDARDS

SERVICE ASSEMBLIES
CABLE TERMINATIONS

PAGE:
1 of 2

SE1, SE1A

CAD FILE:
SE1

REVISIONS			
REV	DATE	ENGR	OPS
0		LB	AH
APP:		SECTION	
DATE:		410	

*TRUCK STOCK

MATERIAL LIST

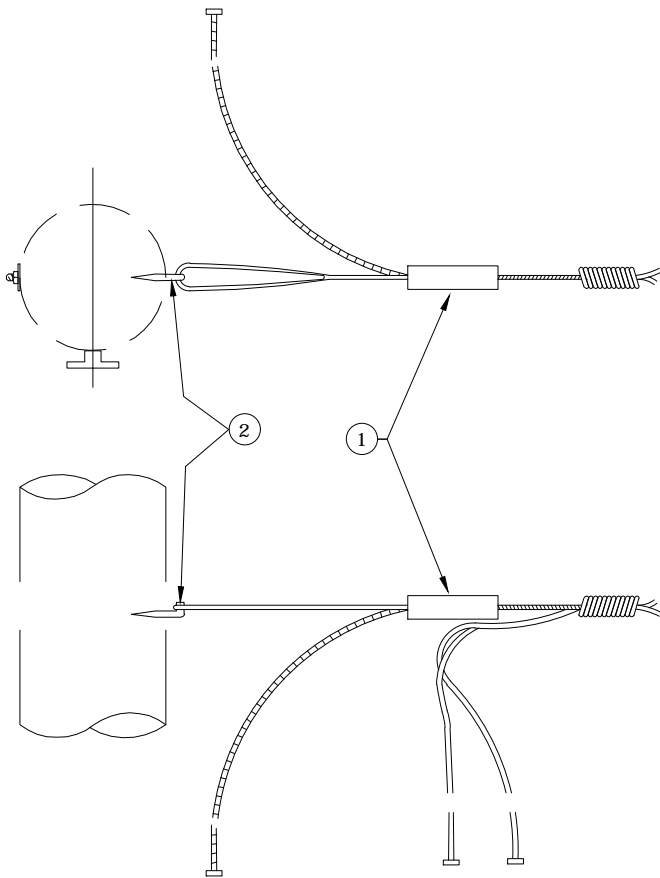
ITEM NO.	DESCRIPTION	SE1	
		QTY.	S/N
1	CLAMP, WEDGE	1	AS REQ*
2	NUT, EYE OVAL 5/8" GALV.	1	913

ITEM NO.	DESCRIPTION	SE1A	
		QTY.	S/N
1	BOLT, EYE 5/8" x _____" GALV.	1	AS REQ
2	CLAMP, WEDGE	1	AS REQ*
3	WASHER, SQ. FLAT, 5/8"	2	1412

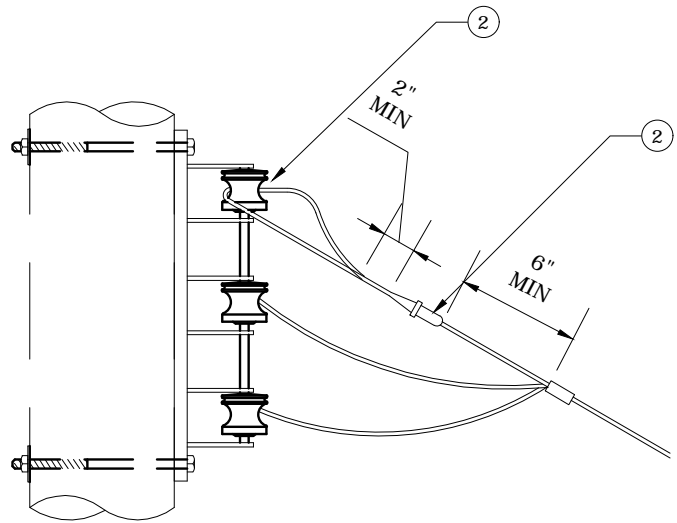


CONSTRUCTION STANDARDS
 SERVICE ASSEMBLIES
 CABLE TERMINATIONS

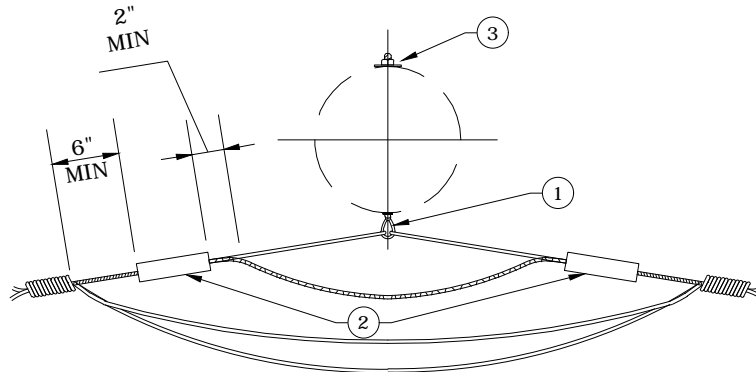
REVISIONS			
△	DATE	ENGR	OPS
0		LB	AH
△			
APP:		SECTION	
DATE:		410	



SE2, USE WHEN HOLE IS NOT EXISTING IN POLE



SE2A, TYPICAL SERVICE CONNECTION TO ROCK.



SE2B
TYPICAL GUIDE FOR SWING SERVICE



CONSTRUCTION STANDARDS
SERVICE ASSEMBLIES
CABLE TERMINATIONS

REVISIONS			
REV	DATE	ENGR	OPS
0		LB	AH
APP:		SECTION	
DATE:		410	

* TRUCK STOCK

MATERIAL LIST

ITEM NO.	DESCRIPTION	SE2	
		QTY.	S/N
1	CLAMP, WEDGE	1	AS REQ*
2	HOOK, DRIVE SCREW	1	751

* TRUCK STOCK

ITEM NO.	DESCRIPTION	SE2A	
		QTY.	S/N
1	CLAMP, WEDGE	1	AS REQ*
2	CONNECTOR	1	AS REQ*

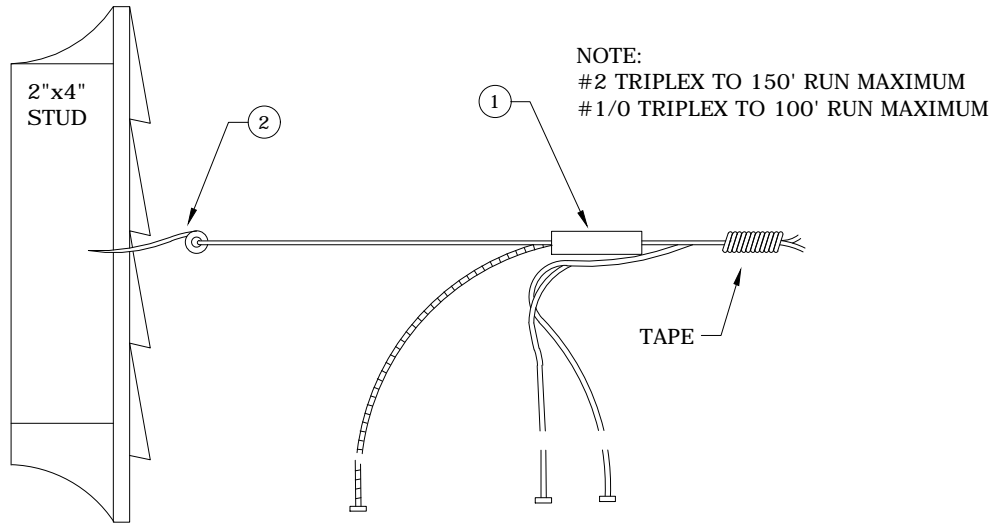
* TRUCK STOCK

ITEM NO.	DESCRIPTION	SE2B	
		QTY.	S/N
1	BOLT, EYE, 5/8" x _____", GALV.	1	AS REQ*
2	CLAMP, WEDGE	2	AS REQ*
3	WASHER, SQ. FLAT, 5/8"	2	1412

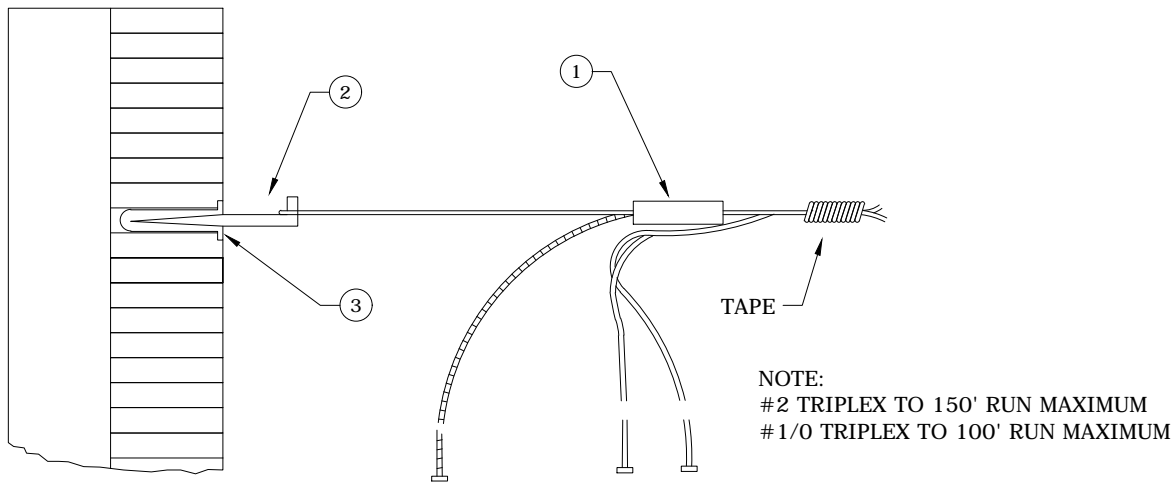


CONSTRUCTION STANDARDS
SERVICE ASSEMBLIES
CABLE TERMINATIONS

REVISIONS			
DATE	ENGR	OPS	
		LB	AH
APP:		SECTION	
DATE:		410	



SE3



SE3A

*TRUCK STOCK
N.S. NOT STOCKED

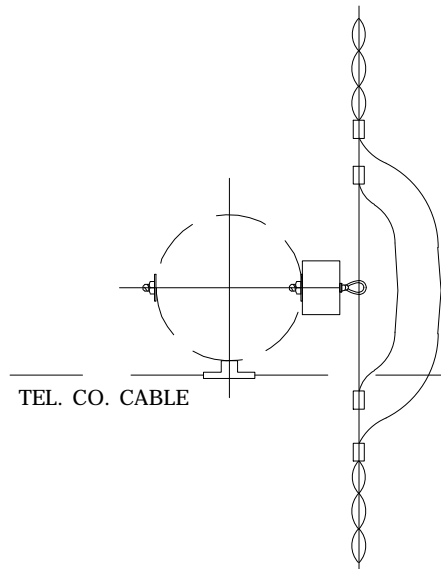
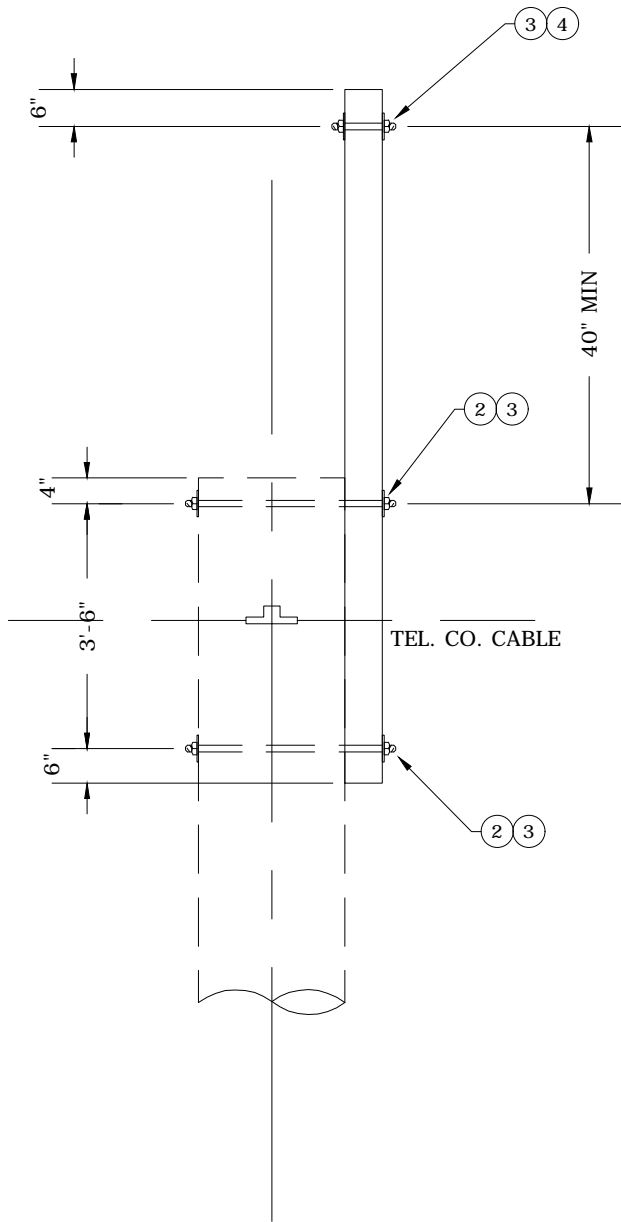
MATERIAL LIST

ITEM NO.	DESCRIPTION	SE3	
		QTY.	S/N
1	CLAMP, WEDGE	1	AS REQ*
2	INSULATOR HOUSE KNOB 1984	1	763
ITEM NO.	DESCRIPTION	SE3A	
		QTY.	S/N
1	CLAMP, WEDGE	1	AS REQ
2	HOOK, DRIVE SCREW	1	751
3	SHIELD EXPANSION	1	N.S.



CONSTRUCTION STANDARDS
SERVICE ASSEMBLIES
CABLE TERMINATIONS

REVISIONS			
DATE	ENGR	OPS	
	LB	AH	



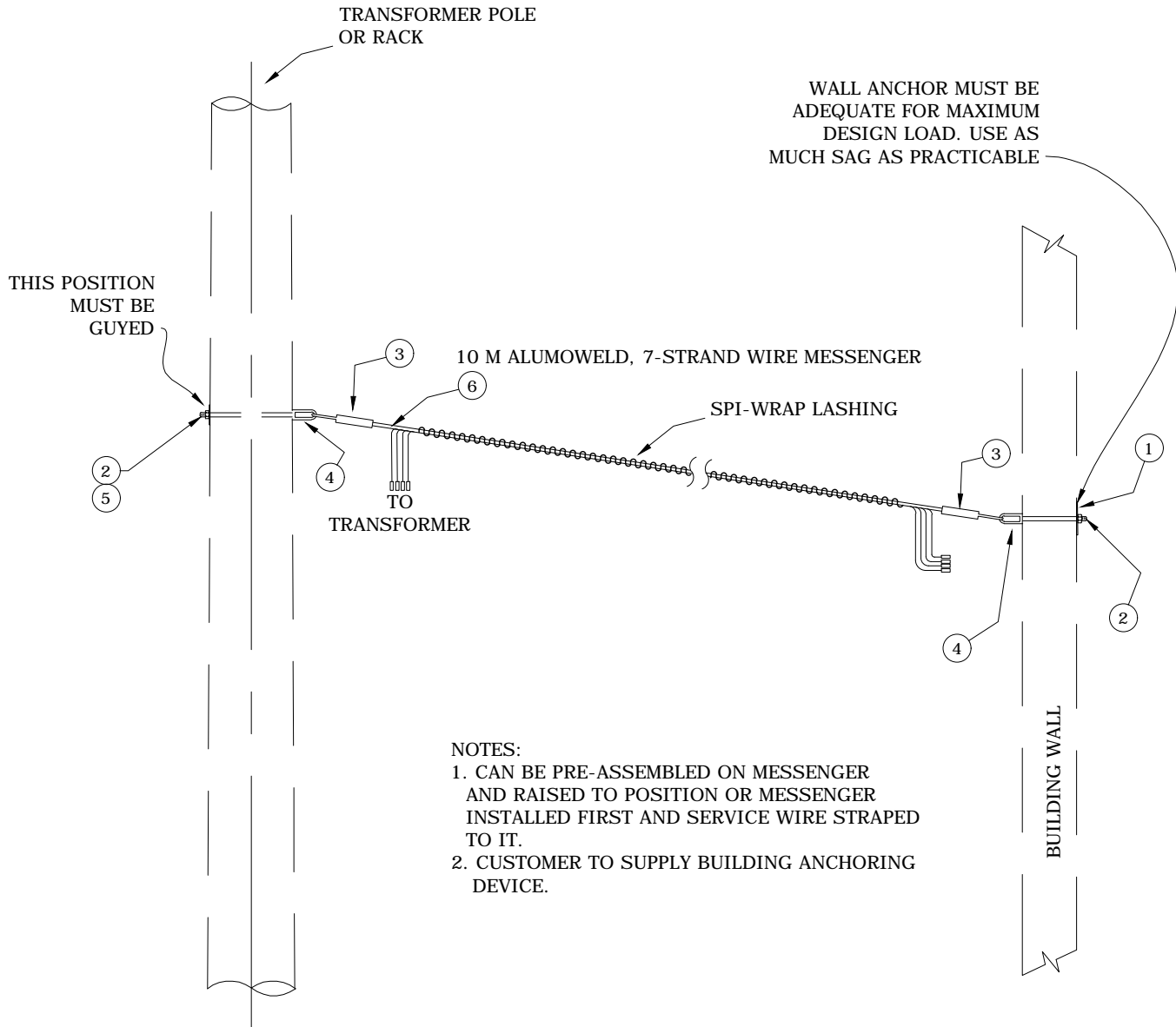
MATERIAL LIST

ITEM NO.	DESCRIPTION	SE5	
		QTY.	S/N
1	CROSSARM, 8'	1	25
2	BOLT, MACHINE 5/8" x 14"	2	156
3	WASHER, SQ. FLAT, 5/8" x 2 1/4" x 2 1/4"	2	1412
	BOLT, EYE, 5/8" x 6"	2	104



CONSTRUCTION STANDARDS
SERVICE EXTENSION
ARM ASSEMBLY

REVISIONS			
DATE	ENGR	OPS	
0	LB	AH	



MATERIAL LIST

ITEM NO.	DESCRIPTION	SE6	
		QTY.	S/N
1	ANCHOR, WALL (BY CUSTOMER)	1	
2	BOLT, MACHINE 5/8" x ____" GALV	2	AS REQ
3	GRIP, GUY 10M	2	713
4	NUT, EYE OVAL 5/8" GALV	2	913
5	WASHER, SQ FLAT 5/8"	3	1412
6	WIRE, GUY, 10M	AS REQ	1419**

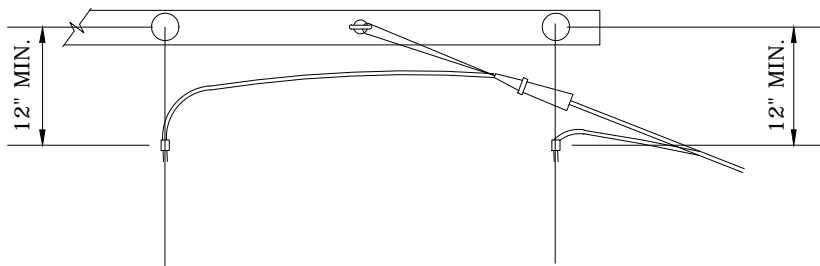
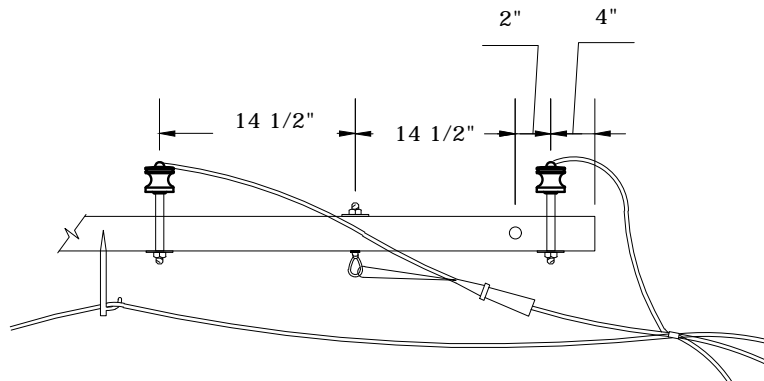
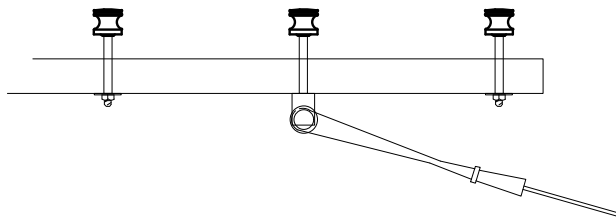
** TO BE CALLED OUT BY ENGINEER



CONSTRUCTION STANDARDS

TYPICAL HEAVY SERVICE DETAIL
LARGER THAN NO. 4/0 ALUM. TRIPLEX
OR QUAD

REVISIONS			
DATE	ENGR	OPS	
	LB	AH	



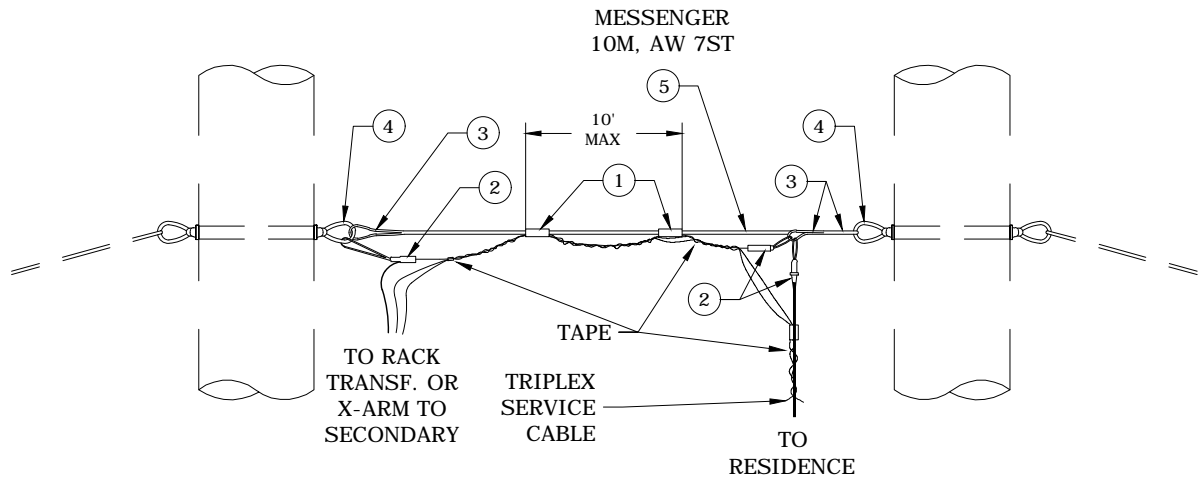
CONSTRUCTION STANDARDS
TYPICAL SERVICE TAKE-OFF
CROSSARM SECONDARIES

PAGE:
1 of 1

SE7

CAD FILE:
SE7

REVISIONS			
△	DATE	ENGR	OPS
0		LB	AH
△			
APP:	SECTION		
DATE:	410		



NOTE:

1. LOCATION OF BRIDAL ON POLE TO BE DETERMINED BY LOCAL CONDITIONS.
2. INSTALL ONLY ONE CABLE FROM POLE TO GUY GRIP.
3. CLIP TO MESSENGER AS REQUIRED.
4. INSTALL HEAD GUYS BOTH WAYS.

*TRUCK STOCK
 **TO BE CALLED OUT BY ENGINEER

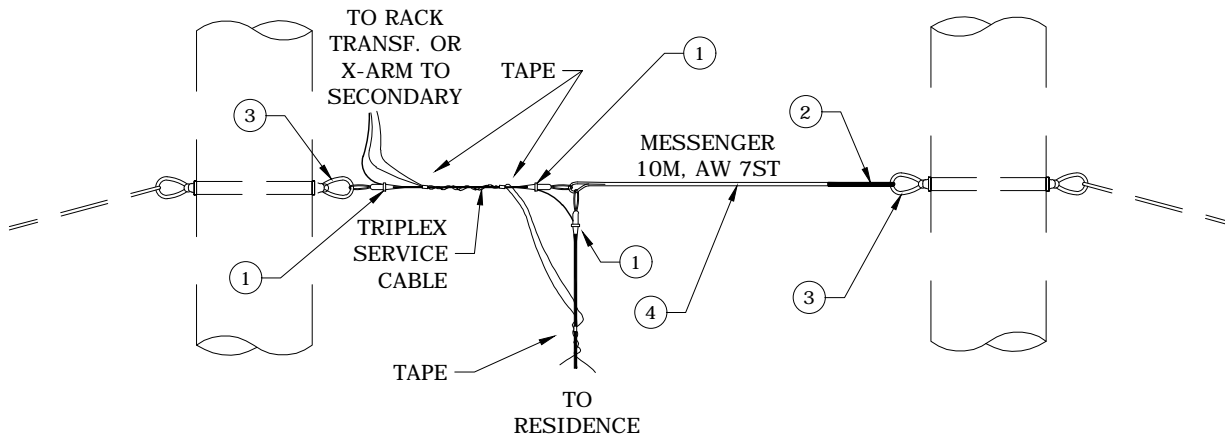
MATERIAL LIST

ITEM NO.	DESCRIPTION	SE8	
		QTY.	S/N
1	CLAMP	5	AS REQ*
2	CLAMP, WEDGE	3	AS REQ*
3	GRIP, GUY 10M	3	713
4	NUT, EYE OVAL 5/8" GALV.	2	913
3	WIRE, GUY, 10M	AS REQ	1419**



CONSTRUCTION STANDARDS
 BRIDLE GUY
 FOR TWO OR MORE SERVICES

REVISIONS			
DATE	ENGR	OPS	
0	LB	AH	



- NOTE:
1. LOCATION OF BRIDAL ON POLE TO BE DETERMINED BY LOCAL CONDITIONS.
 2. INSTALL HEAD GUYS BOTH WAYS.

*TRUCK STOCK
 **TO BE CALLED OUT BY ENGINEER

MATERIAL LIST

ITEM NO.	DESCRIPTION	SE9	
		QTY.	S/N
1	CLAMP, WEDGE	3	AS REQ*
2	GRIP, GUY 10M	2	713
3	NUT, EYE OVAL 5/8" GALV.	2	913
4	WIRE, GUY, 10M	AS REQ	1419**



CONSTRUCTION STANDARDS
 BRIDLE GUY
 FOR SINGLE SERVICE

REVISIONS			
DATE	ENGR	OPS	
0	LB	AH	