

310

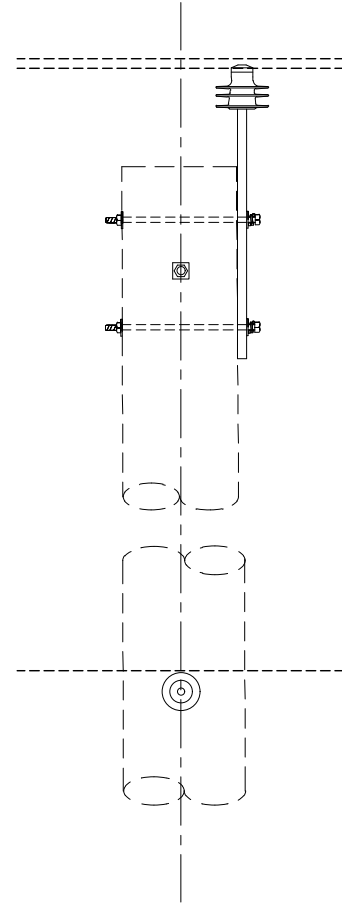
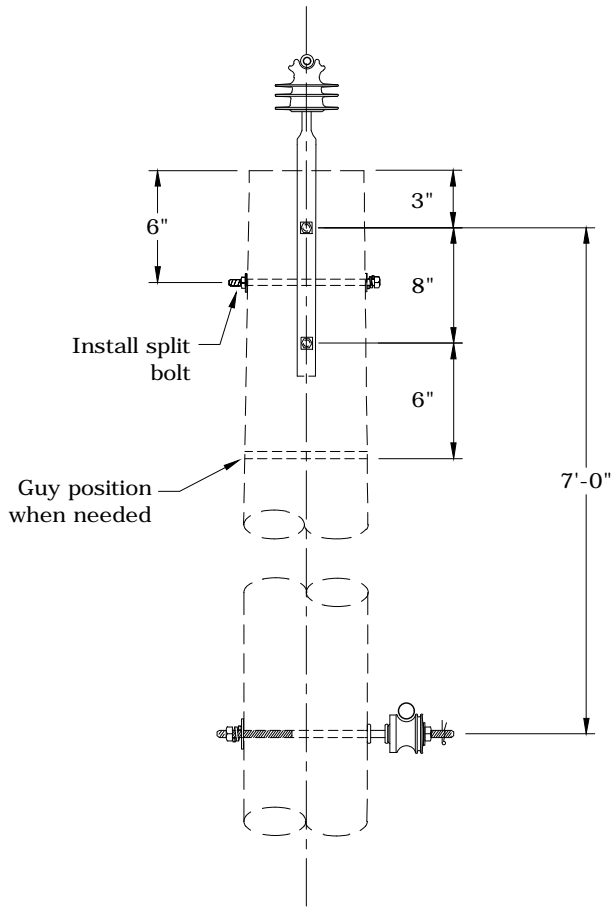
SINGLE PHASE DISTRIBUTION

UP TO 2/0 ACSR

6/13/2017

C	A1,-TREE	1Ø Tangent Pole - 0° to 5°
C	A2,-TREE	1Ø Angle Pole - 6° to 30°
C	A4A,-TREE	1Ø 8' Crossarm - High Neutral - 0° to 5°
C	A5A,-TREE	1Ø 8' Double Crossarm - High Neutral - 6° to 30°
C	A41	1Ø Vertical Deadend
C	A42	1Ø Vertical Deadend w/ Extension Link
C	A47,-TREE	1Ø Vertical Double Deadend
C	A48A	8' Pre-assembled Deadend - High Neutral
C	A49A,-TREE	8' Pre-assembled Double Deadend - High Neutral

N New Standard
R Redrawn Standard
C Changed Standard
~ No Change



Avian Safe

Note: Maximum line angle calculated for 2,000 lbs. MWT and 250-ft ruling span.

Rev. 3 - Eliminated porcelain pin insulator and added avian note.



CONSTRUCTION STANDARDS

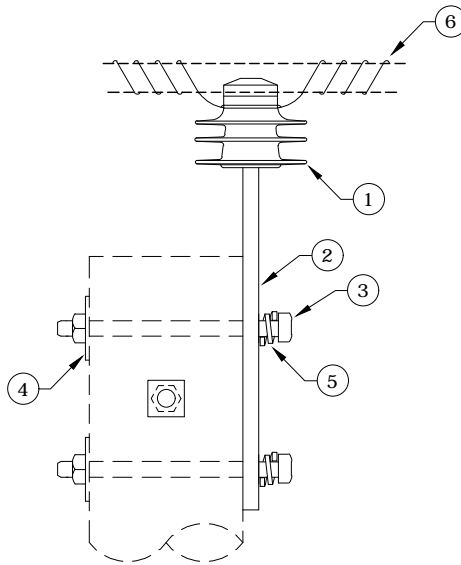
1Ø TANGENT POLE
0° TO 5°
2/0 ACSR MAX WIRE

PAGE:
1 of 2

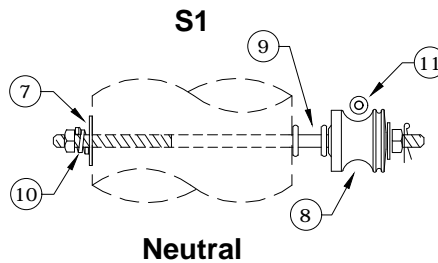
A1, A1TREE

CAD FILE:
A1

REVISIONS											
NO.	DATE	ENGR	OPS								
1	3/02	REDRAWN	IN CAD								
2	3/20/08	CM	AH								
3	6/13/17	CM	DK								
<table border="1"> <tr> <td>APP:</td> <td>ELM</td> <td colspan="2">SECTION</td> </tr> <tr> <td>DATE:</td> <td>1/31/80</td> <td colspan="2">310</td> </tr> </table>				APP:	ELM	SECTION		DATE:	1/31/80	310	
APP:	ELM	SECTION									
DATE:	1/31/80	310									



PR1,PR1TREE



Neutral

Note: Maximum line angle calculated for 2,000 lbs. MWT and 250-ft ruling span.

Rev. 3 - Eliminated porcelain pin insulator and added avian note.

ITEM NO.	DESCRIPTION	A1TREE		A1	
		QTY.	S/N	QTY.	S/N
1	Insulator, Pin, C Neck, Polymer	1	1968	1	1968*
2	Pin, Pole Top	1	962	1	962
3	Bolt, Machine, 5/8" x 12" Galv., 12,400 lbs Ultimate Tensile	2	155	2	155
4	Washer, Curved, Square, Cast, 3" x 3" x 3/8" Thick x 13/16" Hole	2	1392	2	1392
5	Washer, Lock, Spring, Double Coil, Galv., 5/8"	2	2217	2	2217
6	Wire, Tie, AL Annealed #4 SD	11	3012	10	1421

ITEM NO.	DESCRIPTION	S1		S1	
		QTY.	S/N	QTY.	S/N
7	Washer, Curved, Square, Cast, 3" x 3" x 3/8" Thick x 13/16" Hole	1	1392	1	1392
8	Insulator, Spool Clevis, Small, ANSI 53-2 Class *	1	773	1	773
9	Bolt, Double Upset, 5/8" x 14", Galv., 12,400 lbs Ultimate Tensile	1	1580	1	1580
10	Washer, Lock, Spring, Double Coil, Galv., 5/8"	1	2217	1	2217
11	Wire, Tie, AL Annealed #4 SD	10	1421	10	1421



CONSTRUCTION STANDARDS

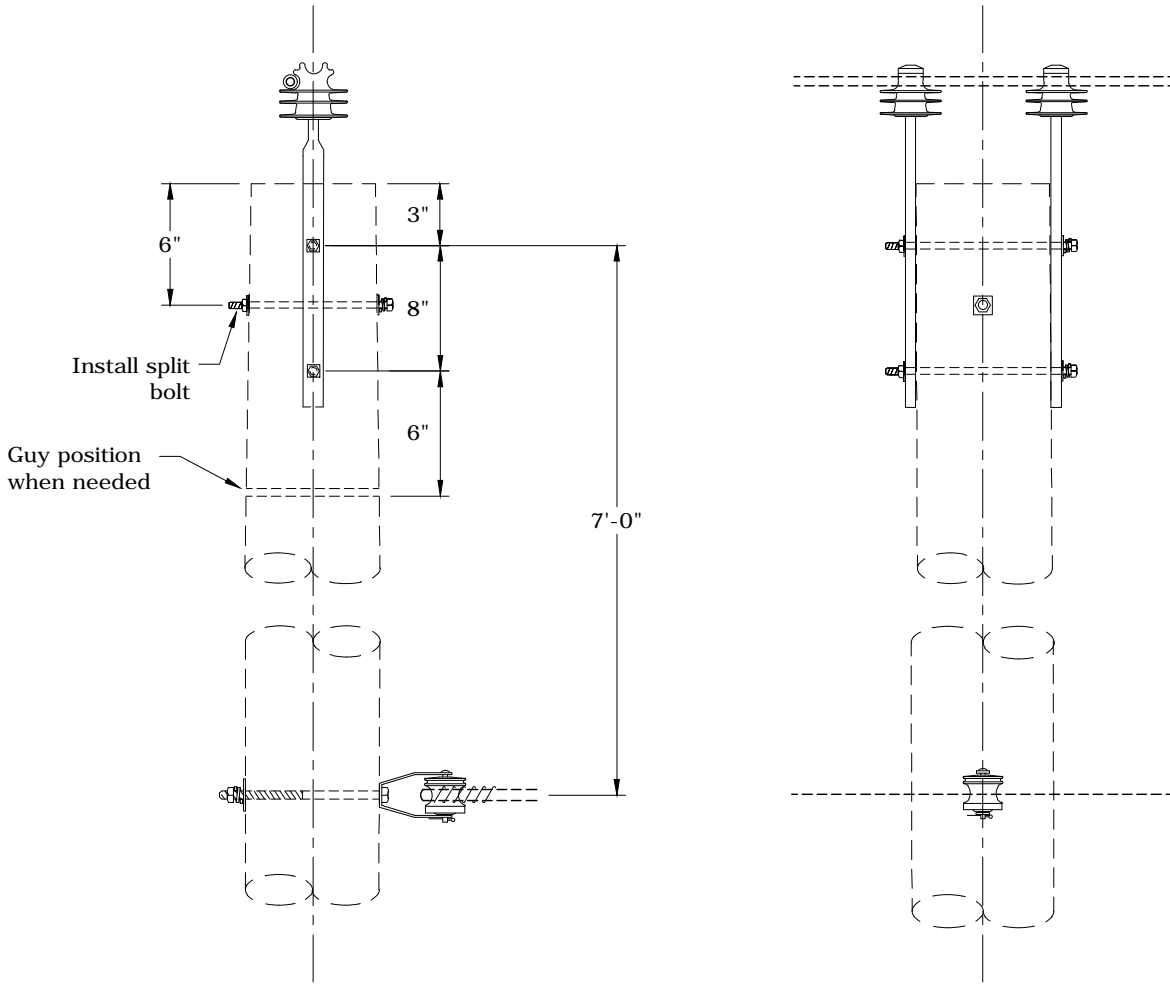
1Ø TANGENT POLE
0° TO 5°
2/0 ACSR MAX WIRE

PAGE:
2 of 2

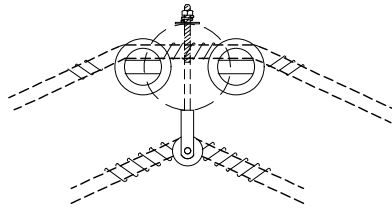
A1,A1TREE

CAD FILE:
A1

REVISIONS			
Δ	DATE	ENGR	OPS
1	3/02	REDRAWN	IN CAD
2	3/20/08	CM	AH
3	6/13/17	CM	DK
Δ			
APP:	ELM	SECTION	
DATE:	1/31/80	310	



TOP VIEW



Avian Safe

Note: Maximum line angle calculated for 2,000 lbs. MWT and 250-ft ruling span.

Rev. 3 - Eliminated porcelain pin insulators and added avian note.



CONSTRUCTION STANDARDS

1Ø ANGLE POLE
6° TO 30°
2/0 ACSR MAX WIRE

PAGE:
1 of 2

A2, A2TREE

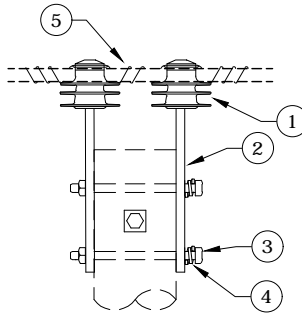
CAD FILE:
A2

REVISIONS

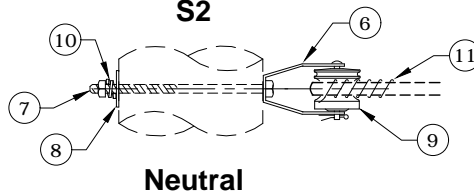
REV	DATE	ENGR	OPS
1	3/02	REDRAWN	IN CAD
2	3/20/08	CM	AH
3	6/13/17	CM	DK

APP:	ELM	SECTION
DATE:	1/31/80	310

PR2,PR2TREE



S2



Neutral

Rev. 3 - Eliminated porcelain pin insulators and added avian note.

ITEM NO.	DESCRIPTION	A2TREE		A2	
		PR2TREE		PR2	
		QTY.	S/N	QTY.	S/N
1	Insulator, Pin, C Neck, Polymer	2	1968	2	1968 *
2	Pin, Pole Top	2	962	2	962
3	Bolt, Machine, 5/8" x 14", Galv., 12,400 lbs. Ultimate Tensile	2	156	2	156
4	Washer, Lock, Spring, Double Coil., Galv., 5/8"	2	2217	2	2217
5	Wire, Tie, AL Annealed #4 SD	22*	3012	20	1421

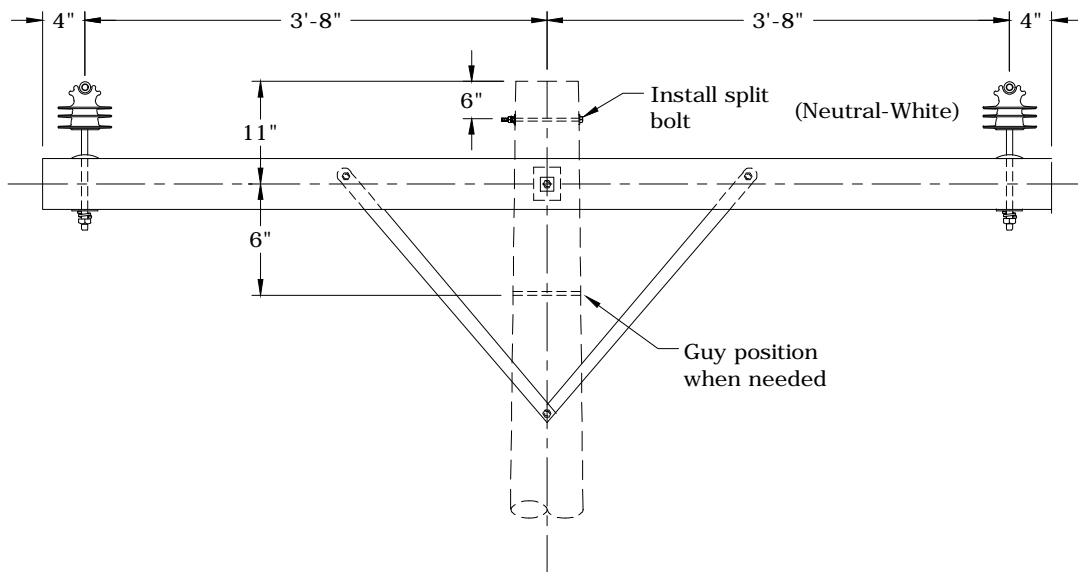
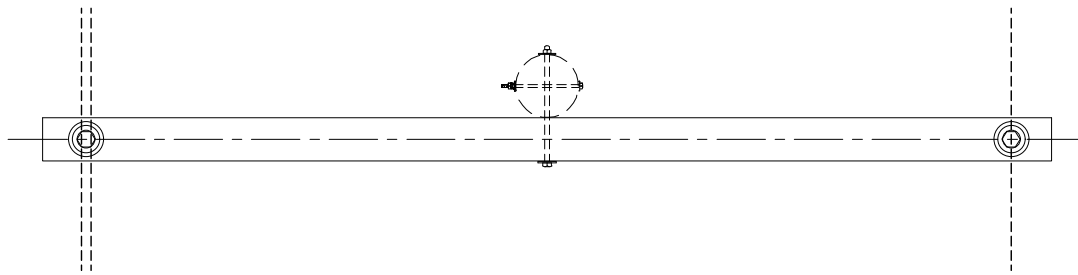
ITEM NO.	DESCRIPTION	S2		S2	
		QTY.	S/N	QTY.	S/N
		6	Clevis, D.E. Insulator 1340	1	335
7	Bolt, Machine, 5/8" x 14", Galv., 12,400 lbs. Ultimate Tensile	1	156	1	156
8	Washer, Curved, Square, Cast, 3" x 3" x 3/8" Thick x 13/16" Hole	1	1392	1	1392
9	Insulator, Spool Clevis, Small, ANSI 53-2 Class *	1	773	1	773
10	Washer, Lock, Spring, Double Coil., Galv., 5/8"	1	2217	1	2217
11	Wire, Tie, AL Annealed #4 SD	10	1421	10	1421



CONSTRUCTION STANDARDS

1Ø ANGLE POLE
6° TO 30°
2/0 ACSR MAX WIRE

REVISIONS			
NO.	DATE	ENGR	OPS
1	3/02	REDRAWN	IN CAD
2	3/20/08	CM	AH
3	6/13/17	CM	DK
△			
APP:	ELM	SECTION	
DATE:	1/31/80	310	



Avian Safe

- Notes:**
1. Maximum line angle calculated for 2,000 lbs. MWT and 250-ft ruling span.
 2. This framing is for clearance limited situations only.

Rev. 3 - Eliminated porcelain pin insulators and added avian note.



CONSTRUCTION STANDARDS

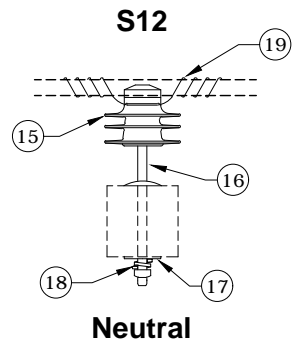
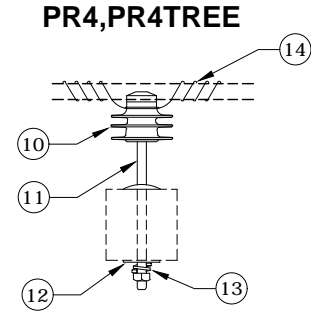
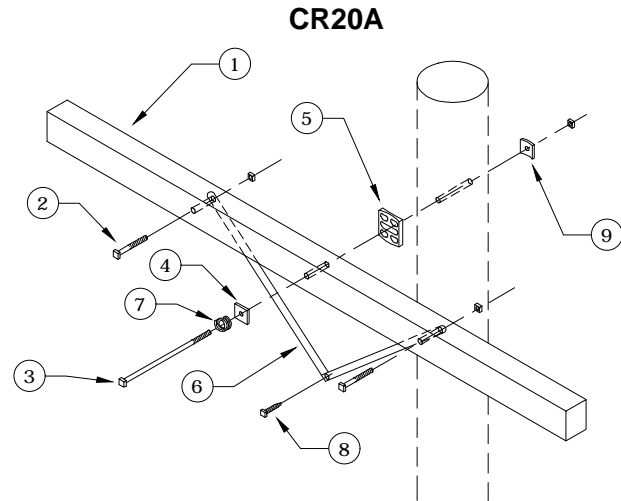
1Ø 8' CROSSARM
 HIGH NEUTRAL-0° TO 5°
 2/0 ACSR MAX WIRE

PAGE:
1 of 2

A4A, A4ATREE

CAD FILE:
A4A

REVISIONS			
△	DATE	ENGR	OPS
1	3/02	REDRAWN	IN CAD
2	3/20/08	CM	AH
3	6/13/17	CM	DK
△			
APP:	ELM	SECTION	
DATE:	1/31/80	310	



Rev. 3 - Eliminated porcelain pin insulators and added avian note.

ITEM NO.	DESCRIPTION	A4ATREE		A4A	
		QTY.	S/N	QTY.	S/N
1	Arm, Cross (Distr.) 8' x 3 3/4" x 4 3/4"	1	25	1	25
2	Bolt, Carriage, 3/8" x 5", Galv., 4250 lbs Ultimate Tensile *	2	78	2	78
3	Bolt, Machine, 5/8" x 16", Galv., 12,400 lbs Ultimate Tensile	1	157	1	157
4	Washer, Sq. Flat 5/8", 2 1/4" x 2 1/4"	1	1412	1	1412
5	Gain, Pole Plastic	1	709	1	709
6	Brace, Crossarm 28", Galv., Stl. *	2	205	2	205
7	Washer, Lock, Spring, Double Coil, Galv., 5/8"	1	2217	1	2217
8	Screw, Lag 1/2" x 4 1/2", Twist Drive, Drive Point *	1	1132	1	1132
9	Washer, Curved, Square, Cast, 3" x 3" x 3/8" Thick x 13/16" Hole	1	1392	1	1392
ITEM NO.	DESCRIPTION	PR4TREE		PR4	
		QTY.	S/N	QTY.	S/N
10	Insulator, Pin, C Neck, Polymer	1	1968	1	1968 *
11	Pin, Crossarm	1	961	1	961
12	Washer, Square Flat 5/8", 2 1/4" x 2 1/4"	1	1412	1	1412
13	Washer, Lock, Spring, Double Coil., Galv. 5/8"	1	2217	1	2217
14	Wire, Tie, AL Annealed #4 SD	11*	3012	10	1421
ITEM NO.	DESCRIPTION	S12		S12	
		QTY.	S/N	QTY.	S/N
15	Insulator, Pin, C Neck, White Polymer	1	2656	1	2656
16	Pin, Crossarm	1	961	1	961
17	Washer, Square Flat 5/8", 2 1/4" x 2 1/4"	1	1412	1	1412
18	Washer, Lock, Spring, Double Coil., Galv. 5/8"	1	2217	1	2217
19	Wire, Tie, AL Annealed #4 SD	10	1421	10	1421



CONSTRUCTION STANDARDS

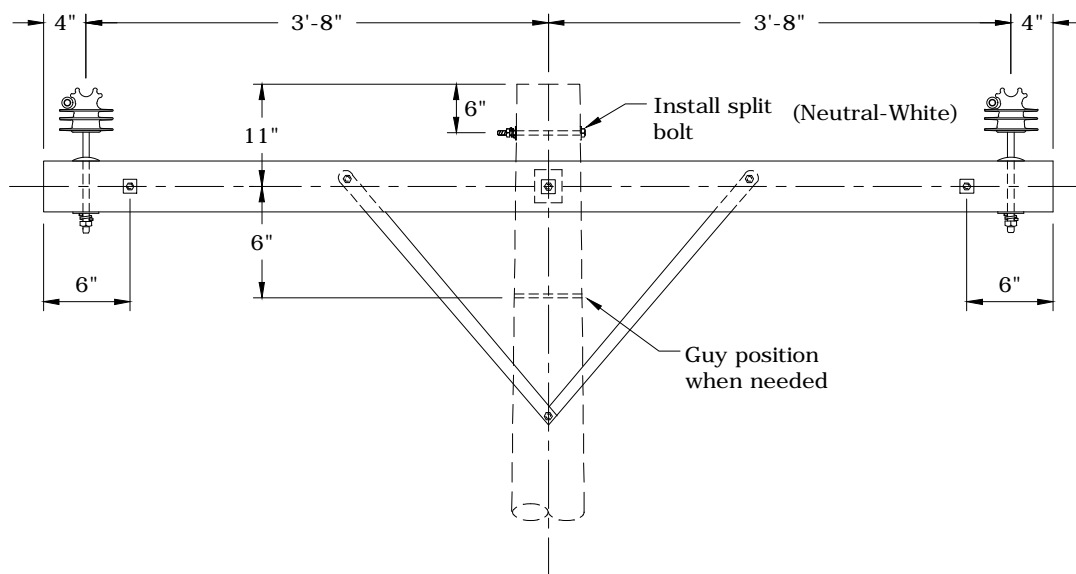
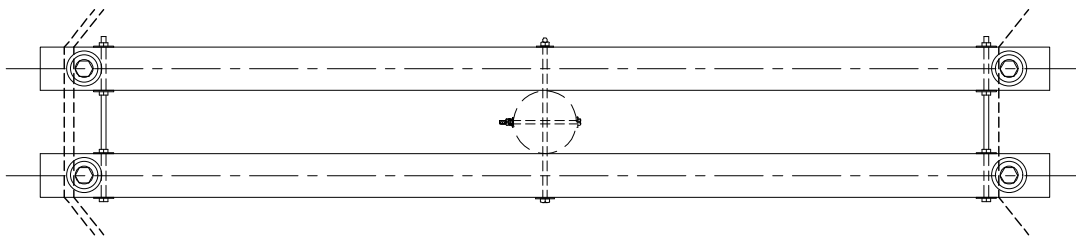
1Ø 8' CROSSARM
HIGH NEUTRAL-0° TO 5°
2/0 ACSR MAX WIRE

PAGE:
2 of 2

A4A, A4ATREE

CAD FILE:
A4A

REVISIONS			
△	DATE	ENGR	OPS
1	3/02	REDRAWN	IN CAD
2	3/20/08	CM	AH
3	6/13/17	CM	DK
△			
APP:	ELM	SECTION	
DATE:	1/31/80	310	



Avian Safe

- Notes:
1. Maximum line angle calculated for 2,000 lbs. MWT and 250-ft ruling span.
 2. This framing is for clearance limited situations only.

Rev. 3 - Eliminated porcelain pin insulators and added avian note.



CONSTRUCTION STANDARDS

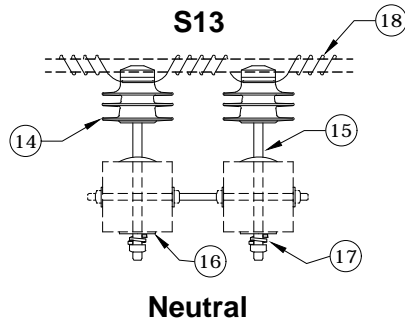
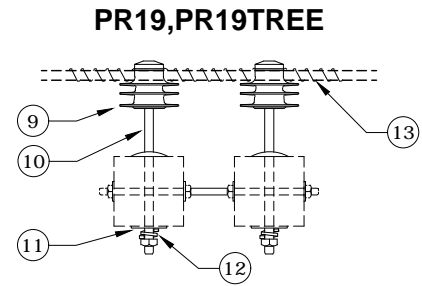
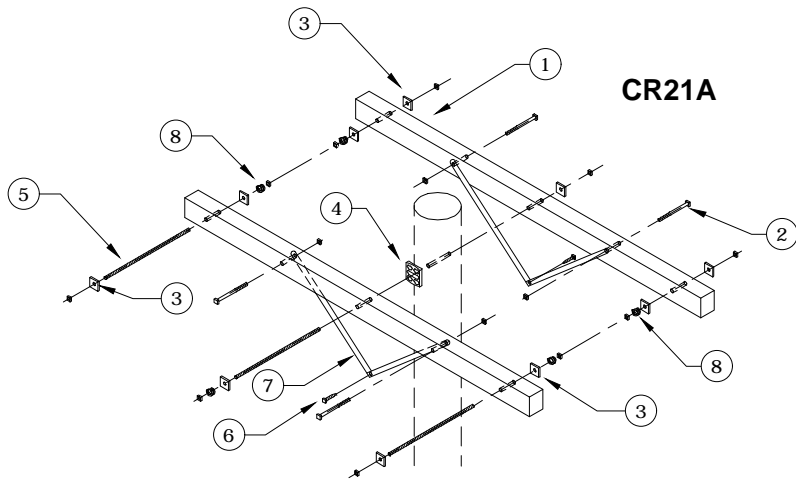
1Ø 8' DOUBLE CROSSARM
 HIGH NEUTRAL-6° TO 30°
 2/0 ACSR MAX WIRE

REVISIONS			
Δ	DATE	ENGR	OPS
1	3/02	REDRAWN	IN CAD
2	3/20/08	CM	AH
3	6/13/17	CM	DK
Δ			
APP:	ELM	SECTION	
DATE:	1/31/80	310	

PAGE:
1 of 2

A5A, A5ATREE

CAD FILE:
A5A



Rev. 3 - Eliminated porcelain pin insulators and added avian note.

ITEM NO.	DESCRIPTION	A5ATREE		A5A	
		QTY.	S/N	QTY.	S/N
1	Arm, Cross (Distr.) 8' x 3 3/4" x 4 3/4"	2	25	2	25
2	Bolt, Carriage, 3/8" x 5", Galv., 4200 lbs Ultimate Tensile *	4	78	4	78
3	Washer, Square Flat 5/8", 2 1/4" x 2 1/4"	10	1412	10	1412
4	Gain, Pole Plastic	1	709	1	709
5	Bolt, Double Arm, 5/8" x 20" Galv., 12,400 lbs Ultimate Tensile	3	83	3	83
6	Screw, Lag 1/2" x 4 1/2", Twist Drive, Drive Point *	2	1132	2	1132
7	Brace, Crossarm 28", Galv., Stl. *	4	205	4	205
8	Washer, Lock Spring Double Coil, 5/8"	5	2217	5	2217
ITEM NO.	DESCRIPTION	PR19TREE		PR19	
		QTY.	S/N	QTY.	S/N
9	Insulator, Pin, C Neck, Polymer	2	1968	2	1968 *
10	Pin, Crossarm	2	961	2	961
11	Washer, Square Flat, 5/8", 2 1/4" x 2 1/4"	2	1412	2	1412
12	Washer, Lock, Spring, Double Coil, Galv., 5/8"	2	2217	2	2217
13	Wire, Tie, AL Annealed #4 SD	22*	3012	20	1421
ITEM NO.	DESCRIPTION	S13		S13	
		QTY.	S/N	QTY.	S/N
14	Insulator, Pin, C Neck, White Polymer	2	2656	2	2656
15	Pin, Crossarm	2	961	2	961
16	Washer, Square Flat, 5/8", 2 1/4" x 2 1/4"	2	1412	2	1412
17	Washer, Lock, Spring, Double Coil, Galv., 5/8"	2	2217	2	2217
18	Wire, Tie, AL Annealed #4 SD	20	1421	20	1421



CONSTRUCTION STANDARDS

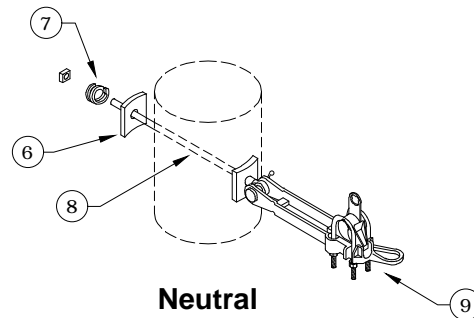
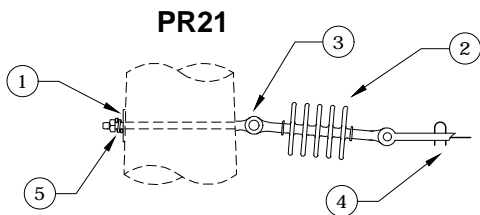
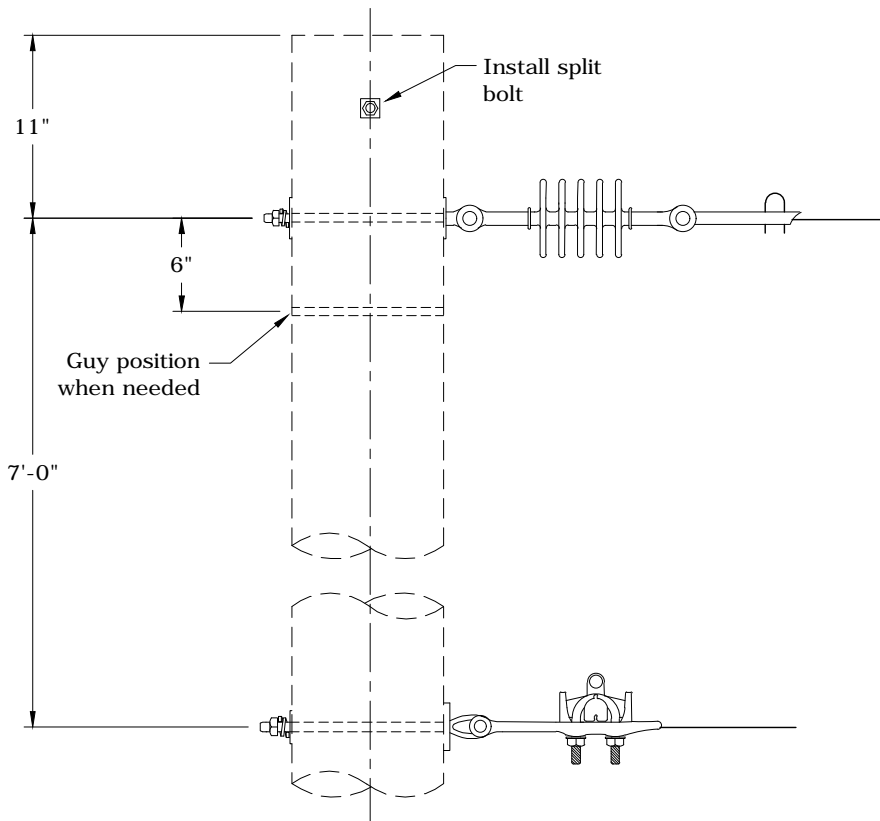
1Ø 8' DOUBLE CROSSARM
HIGH NEUTRAL-6° TO 30°
2/0 ACSR MAX WIRE

PAGE:
2 of 2

A5A, A5ATREE

CAD FILE:
A5A

REVISIONS			
△	DATE	ENGR	OPS
1	3/02	REDRAWN	IN CAD
2	3/20/08	CM	AH
3	6/13/17	CM	DK
△			
APP:	ELM	SECTION	
DATE:	1/31/80	310	



Avian Safe

Rev. 4 - Added avian note.

ITEM NO.	DESCRIPTION	A41	
		PR21	
		QTY.	S/N
1	Washer, Curved, Square, Cast, 3" x 3" x 3/8" Thick x 13/16" Hole	1	1392
2	Insulator, Susp. 15 kV Clevis-Tongue, Polymer *	1	1967
3	Bolt, Eye, 5/8" x 14", Galv., 12,400 lbs Ultimate Tensile *	1	108
4	Clamp, Strain, Distribution, #2 to 397.5 MCM	1	302
5	Washer, Lock, Spring, Double Coil, Galv., 5/8" *	1	2217
ITEM NO.	DESCRIPTION	ADDITIONAL MATERIALS	
		QTY.	S/N
6	Washer, Curved, Square, Cast, 3" x 3" x 3/8" Thick x 13/16" Hole	2	1392
7	Washer, Lock, Spring, Double Coil, Galv., 5/8" *	1	2217
8	Bolt, Eye, 5/8" x 14", Galv., 12,400 lbs Ultimate Tensile *	1	108
9	Clamp, Strain #2	1	300



CONSTRUCTION STANDARDS

1Ø VERTICAL DEADEND
2/0 ACSR MAX WIRE

REVISIONS			
NO.	DATE	ENGR	OPS
1	2/11/81	GGW	
2	3/02	REDRAWN	IN CAD
3	3/20/08	CM	AH
4	6/13/17	CM	DK

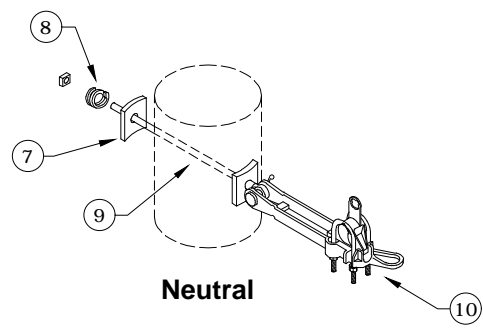
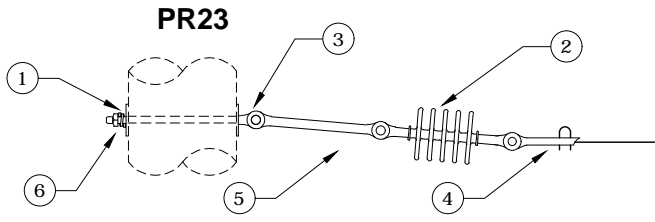
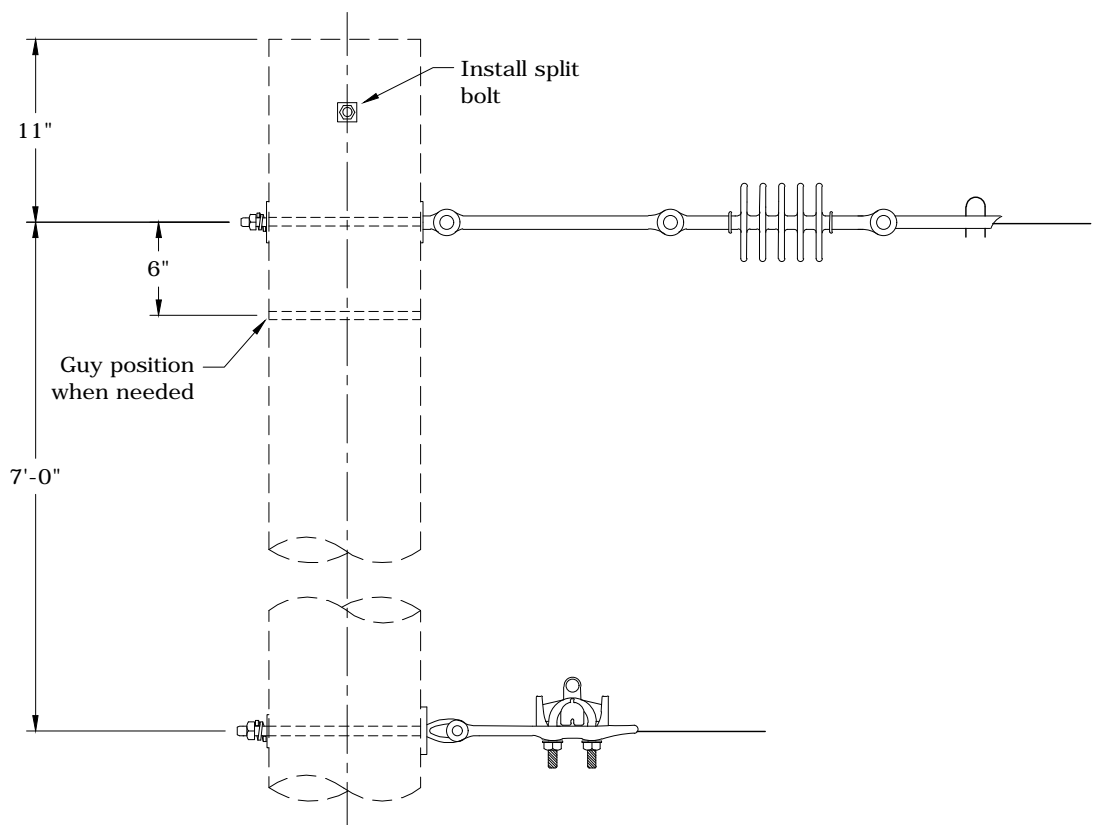
PAGE:
1 of 1

A41

CAD FILE:
A41

APP: ELM
DATE: 1/31/80

SECTION
310



Avian Safe

Rev. 1 - Added avian note.

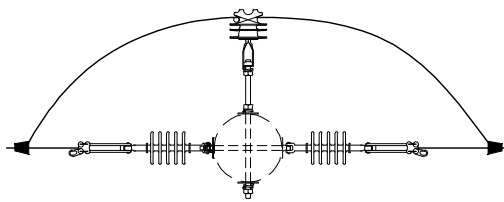
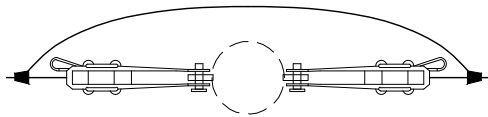
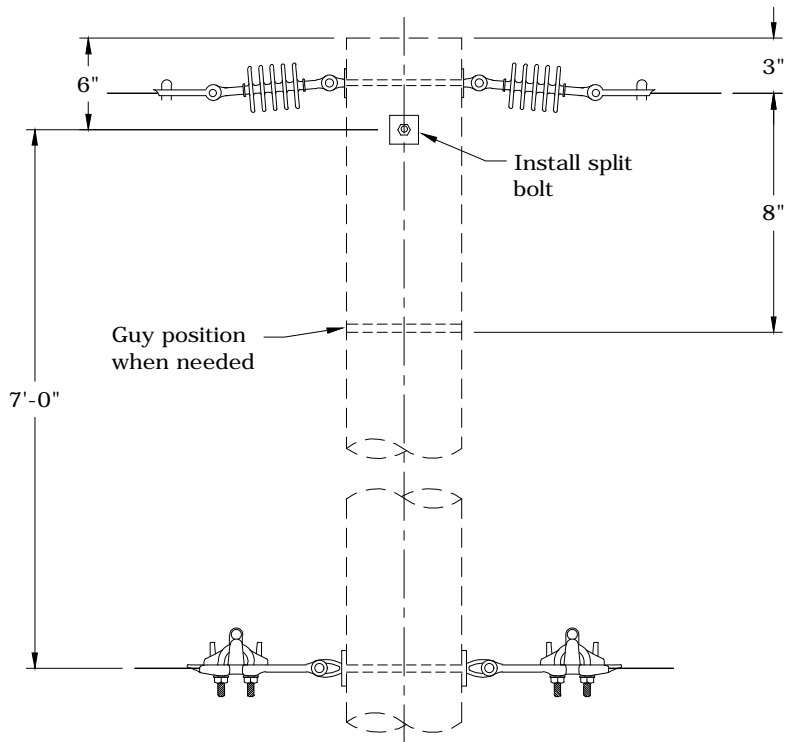
ITEM NO.	DESCRIPTION	A42	
		PR23	
		QTY.	S/N
1	Washer, Curved, Square, Cast, 3" x 3" x 3/8" Thick x 13/16" Hole	1	1392
2	Insulator, Susp. 15 kV Clevis-Tongue, Polymer *	1	1967
3	Bolt, Eye, 5/8" x 14" Galv., 12,400 lbs Ultimate Tensile	1	108
4	Clamp, Strain, Distribution, #2 to 397.5 MCM	1	302
5	Insulator, Guy Strain, Fiberglass, 20"	1	2909 *
6	Washer, Lock, Spring, Double Coil, Galv., 5/8"	1	2217
ITEM NO.	DESCRIPTION	ADDITIONAL MATERIALS	
		QTY.	S/N
7	Washer, Curved, Square, Cast, 3" x 3" x 3/8" Thick x 13/16" Hole	2	1392
8	Washer, Lock, Spring, Double Coil, Galv., 5/8"	1	2217
9	Bolt, Eye, 5/8" x 14" Galv., 12,400 lbs Ultimate Tensile	1	108
10	Clamp, Strain #2	1	300



CONSTRUCTION STANDARDS

1Ø VERTICAL DEADEND
W/ EXTENSION LINK
2/0 ACSR MAX WIRE

REVISIONS			
DATE	ENGR	OPS	
6/13/17	CM	DK	



Avian Safe

Rev. 3 - Eliminated porcelain pin insulator and added avian note.



CONSTRUCTION STANDARDS

1Ø VERTICAL DOUBLE DEADEND
2/0 ACSR MAX WIRE

REVISIONS

△	DATE	ENGR	OPS
2	3/02	REDRAWN	IN CAD
3	3/20/08	CM	AH
4	7/29/10	KJP	
5	6/13/17	CM	DK

PAGE:
1 of 2

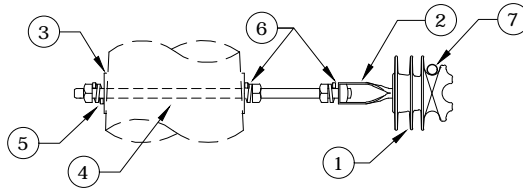
A47, A47TREE

CAD FILE:
A47

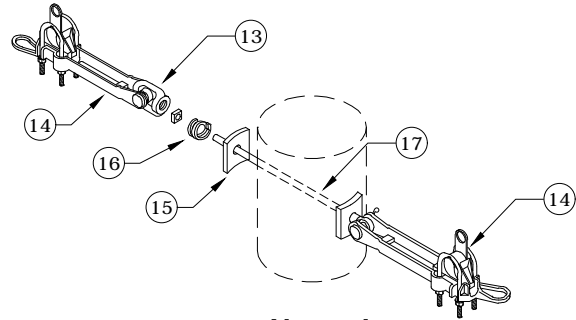
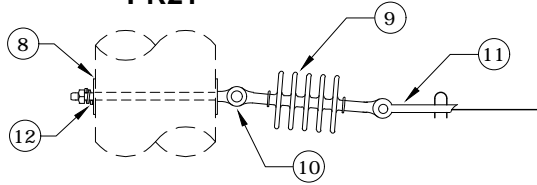
APP: ELM
DATE: 1/31/80

SECTION
310

PR20,PR20TREE



PR21



Neutral

Rev. 5 - Eliminated porcelain pin insulator and added avian note.

ITEM NO.	DESCRIPTION	A47TREE		A47	
		PR20TREE		PR20	
		QTY.	S/N	QTY.	S/N
1	Insulator Pin, C Neck, Polymer	1	1968	1	1968 *
2	Pin, Adapter	1	959	1	959
3	Washer, Curved, Square, Cast, 3" x 3" x 3/8" Thick x 13/16" Hole	2	1392	2	1392
4	Bolt, Double Arm, 5/8" x 16", Galv., 12,400 lbs Ultimate Tensile	1	81	1	81
5	Washer, Lock, Spring, Double Coil, Galv., 5/8"	1	2217	1	2217
6	Washer, Lock, Spring, Single Coil, Galv., 5/8"	2	1403	2	1403
7	Wire, Tie, AL Annealed #4 SD	11*	3012	10	1421
ITEM NO.	DESCRIPTION	PR21 (2)		PR21 (2)	
		QTY.	S/N	QTY.	S/N
8	Washer, Curved, Square, Cast, 5/8", 3" x 3" x 3/8" Thick x 13/16" Hole	2	1392	2	1392
9	Insulator, Susp. 15 kV Clevis-Tongue, Polymer	2	1967	2	1967
10	Bolt, Eye, 5/8" x 14", Galv., 12,400 lbs Ultimate Tensile	2	108	2	108
11	Clamp, Strain, Distribution, #2 to 397.5 MCM	2	302	2	302
12	Washer, Lock, Spring, Double Coil, Galv., 5/8"	2	2217	2	2217
ITEM NO.	DESCRIPTION	ADDITIONAL MATERIAL			
		QTY.	S/N	QTY.	S/N
13	Nut, Eye Oval 5/8"	1	913	1	913
14	Clamp, Strain #2	2	300	2	300
15	Washer, Curved, 3" x 3" x 3/8" Thick x 13/16" Hole	2	1392	2	1392
16	Washer, Lock, Spring, Double Coil, Galv., 5/8"	1	2217	1	2217
17	Bolt, Eye, 5/8" X 14", Galv., 12,400 lbs Ultimate Tensile	1	108	1	108

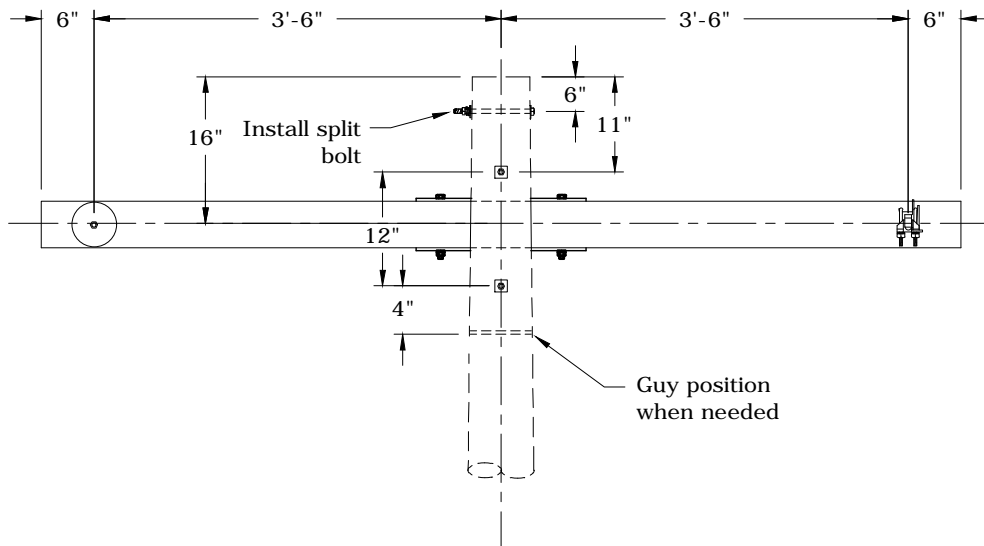


CONSTRUCTION STANDARDS

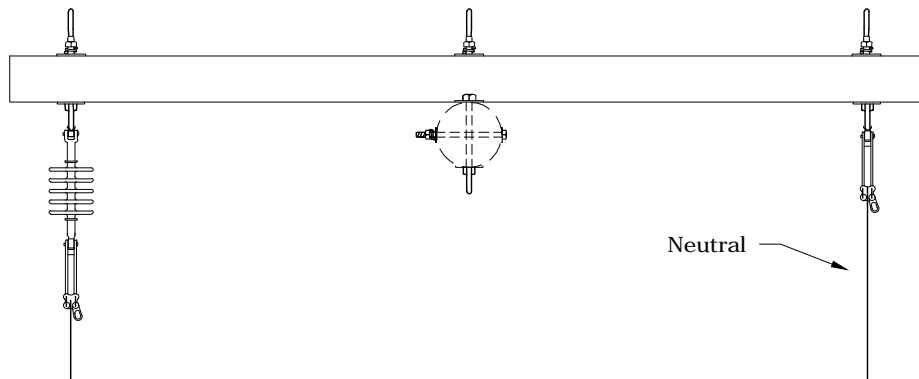
1Ø VERTICAL DOUBLE DEADEND
2/0 ACSR MAX WIRE

REVISIONS			
REV	DATE	ENGR	OPS
2	3/02	REDRAWN	IN CAD
3	3/20/08	CM	AH
4	7/29/10	KJP	
5	6/13/17	CM	DK

FRONT VIEW



TOP VIEW

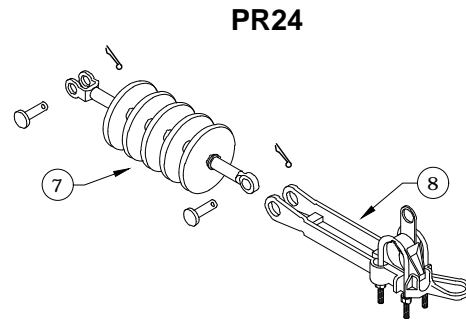
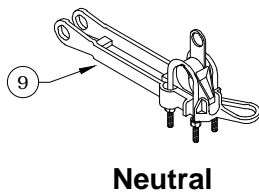
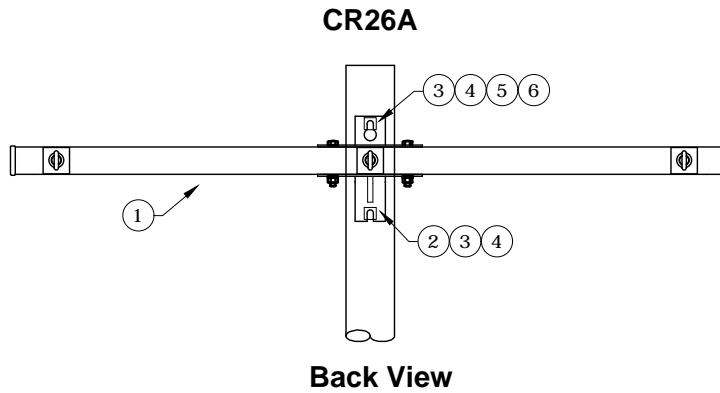


Avian Safe

Note: This framing is for clearance limited situations only.

Rev. 1 - Added avian note.

	CONSTRUCTION STANDARDS 8' PRE-ASSEMBLED DEADEND HIGH NEUTRAL 2/0 ACSR MAX WIRE		REVISIONS			
	PAGE: 1 of 2	A48A	CAD FILE: A48A	APP: CM/AH DATE: 3/20/08	ENGR: CM DATE: 6/13/17	OPS: DK
	SECTION 310					



Rev. 1 - Added avian note.

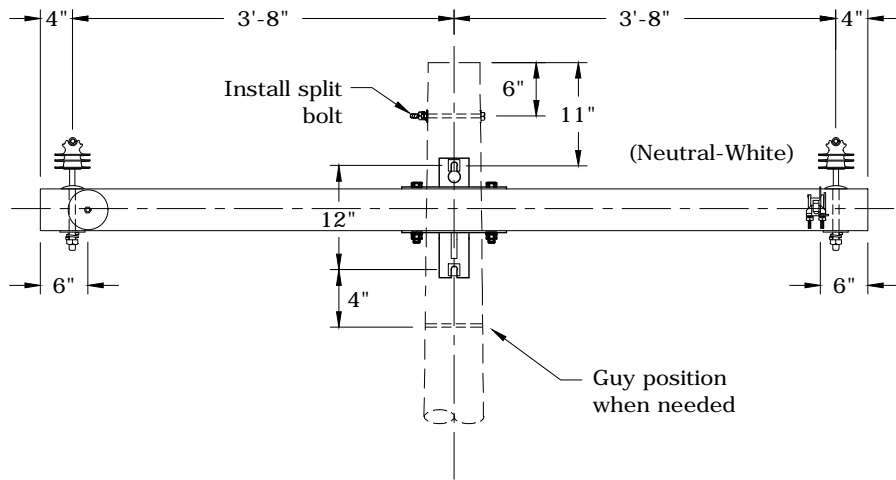
ITEM NO.	DESCRIPTION	A48A	
		QTY.	S/N
1	Arm, Deadend Assembly, 8', 3-Position, 397 Max	1	2508
2	Bolt, Machine, 3/4" x 14" Galv., 18,350 lbs Ultimate Tensile	1	174
3	Washer, Lock, Spring, Double Coil, Galv., 3/4"	2	2218
4	Washer, Curved, Square, Cast, 3" x 3" x 3/8" Thick x 13/16" Hole	2	1392
5	Nut, Eye Oval 3/4"	1	914
6	Bolt, Machine, 3/4" x 16" Galv., 18,350 lbs Ultimate Tensile	1	175
ITEM NO.	DESCRIPTION	PR24	
		QTY.	S/N
7	Insulator, Susp. 15 kV Clevis-Tongue, Polymer ✱	1	1967
8	Clamp, Strain, Distribution, #2 to 397.5 MCM	1	302
ITEM NO.	DESCRIPTION	ADDITIONAL MATERIAL	
		QTY.	S/N
9	Clamp, Strain, #2	1	300



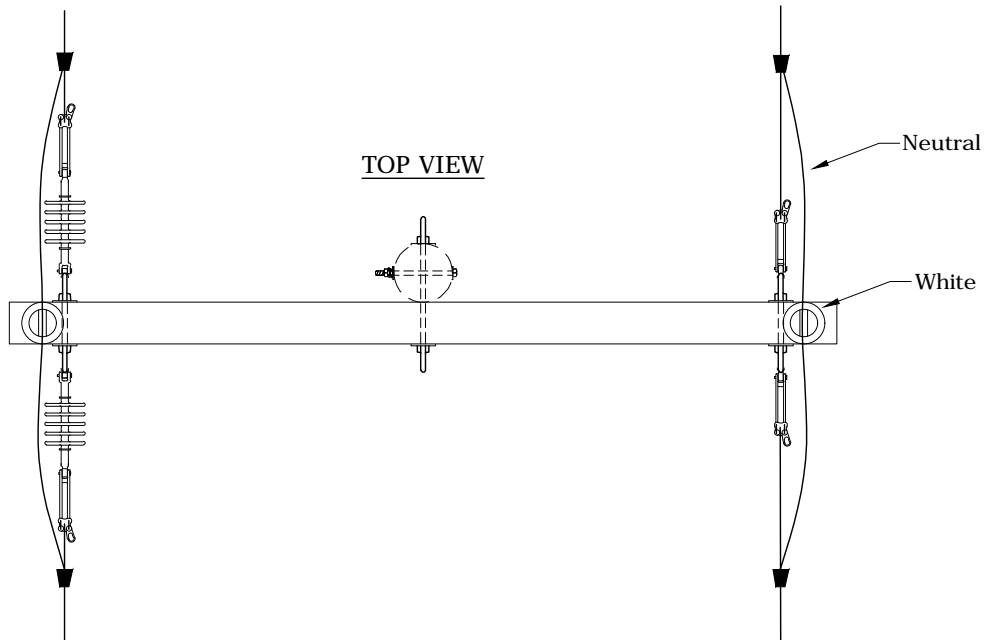
CONSTRUCTION STANDARDS
 8' PRE-ASSEMBLED DEADEND
 HIGH NEUTRAL
 2/0 ACSR MAX WIRE

REVISIONS			
DATE	ENGR	OPS	
6/13/17	CM	DK	

FRONT VIEW



TOP VIEW



Avian Safe

Rev. 2 - Eliminated porcelain pin insulators and added avian note.



CONSTRUCTION STANDARDS
 8' PRE-ASSEMBLED DOUBLE DEADEND
 HIGH NEUTRAL
 2/0 ACSR MAX WIRE

PAGE:
1 of 2

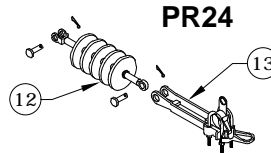
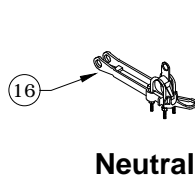
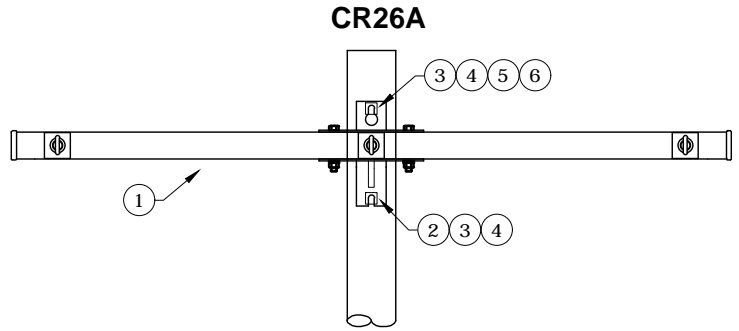
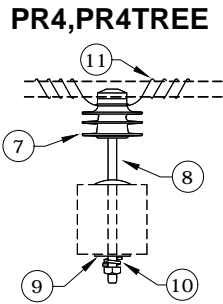
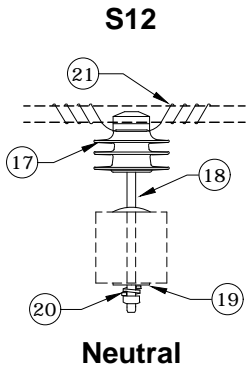
A49A, A49ATREE

CAD FILE:
A49A

REVISIONS

REV	DATE	ENGR	OPS
1	7/29/10	KJP	
2	6/13/17	CM	DK

APP:	CM/AH	SECTION
DATE:	3/20/08	310



Rev. 2 - Eliminated porcelain pin insulators and added avian note.

ITEM NO.	DESCRIPTION	A49ATREE		A49A	
		QTY.	S/N	QTY.	S/N
1	Arm, Deadend Assembly, 8', 3-Position, 397 Max	1	2508	1	2508
2	Bolt, Machine, 3/4" x 14", Galv., 18,350 lbs Ultimate Tensile	1	174	1	174
3	Washer, Lock, Spring, Double Coil, Galv., 3/4"	2	2218	2	2218
4	Washer, Curved, Square, Cast, 3" x 3" x 3/8" Thick x 13/16" Hole	2	1392	2	1392
5	Nut, Eye Oval 3/4"	1	914	1	914
6	Bolt, Machine, 3/4" x 16" Galv., 18,350 lbs Ultimate Tensile	1	175	1	175
ITEM NO.	DESCRIPTION	PR4TREE		PR4	
		QTY.	S/N	QTY.	S/N
7	Insulator, Pin, C Neck Polymer	1	1968	1	1968 *
8	Pin, Crossarm	1	961	1	961
9	Washer, Square Flat 5/8", 2 1/4" x 2 1/4"	1	1412	1	1412
10	Washer, Lock, Spring, Double Coil, Galv., 5/8"	1	2217	1	2217
11	Wire, Tie, AL Annealed #4 SD	11*	3012	10	1421
ITEM NO.	DESCRIPTION	PR24 (2)		PR24 (2)	
		QTY.	S/N	QTY.	S/N
12	Insulator, Susp. 15 kV Clevis-Tongue, Polymer *	2	1967	2	1967
13	Clamp, Strain, Distribution, #2 to 397.5 MCM	2	302	2	302
ITEM NO.	DESCRIPTION	ADDITIONAL MATERIAL			
		QTY.	S/N	QTY.	S/N
14	Connector, Tap, Wedge 2/0 to 2/0	2	2559	2	2559
15	Connector, Tap, Wedge #2 to #2	2	2688 *	2	2688 *
16	Clamp, Strain #2	2	300	2	300
ITEM NO.	DESCRIPTION	S12		S12	
		QTY.	S/N	QTY.	S/N
17	Insulator, Pin, C Neck, White Polymer	1	2656	1	2656
18	Pin, Crossarm	1	961	1	961
19	Washer, Square Flat, 5/8", 2 1/4" x 2 1/4"	1	1412	1	1412
20	Washer, Lock, Spring, Double Coil, Galv., 5/8"	1	2217	1	2217
21	Wire, Tie, AL Annealed #4 SD	10	1421	10	1421



CONSTRUCTION STANDARDS
 8' PRE-ASSEMBLED DOUBLE DEADEND
 HIGH NEUTRAL
 2/0 ACSR MAX WIRE

PAGE:
2 of 2

A49A, A49ATREE

CAD FILE:
A49A

REVISIONS											
NO.	DATE	ENGR	OPS								
1	7/29/10	KJP									
2	6/13/17	CM	DK								
<table border="1"> <tr> <td>APP:</td> <td>CM/AH</td> <td colspan="2">SECTION</td> </tr> <tr> <td>DATE:</td> <td>3/20/08</td> <td colspan="2">310</td> </tr> </table>				APP:	CM/AH	SECTION		DATE:	3/20/08	310	
APP:	CM/AH	SECTION									
DATE:	3/20/08	310									