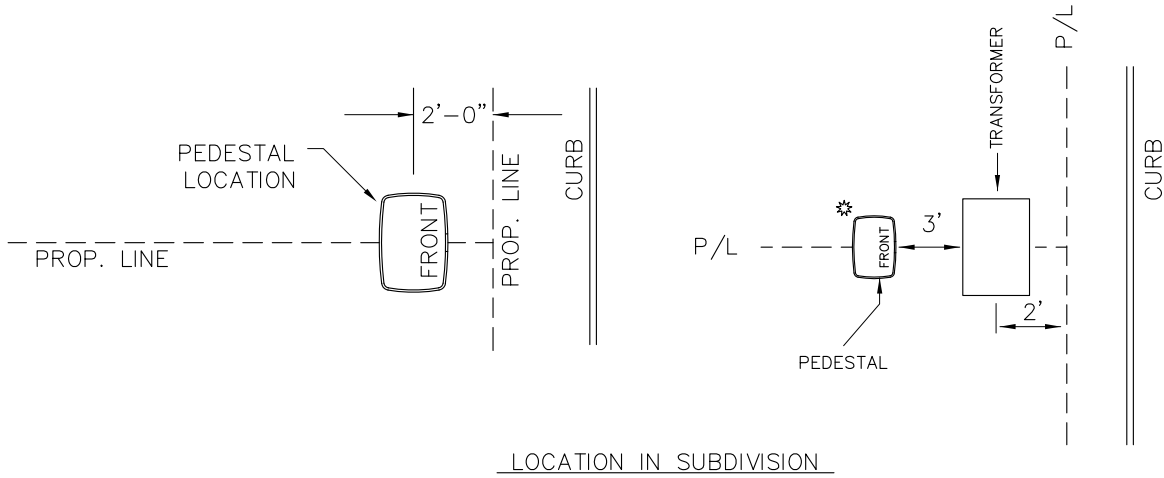


NOTE: LEAVE SLACK IN WIRE TO ALLOW FOR SETTLING.



REV 1: CHANGED TO ABOVEGROUND PEDESTAL



CONSTRUCTION STANDARDS

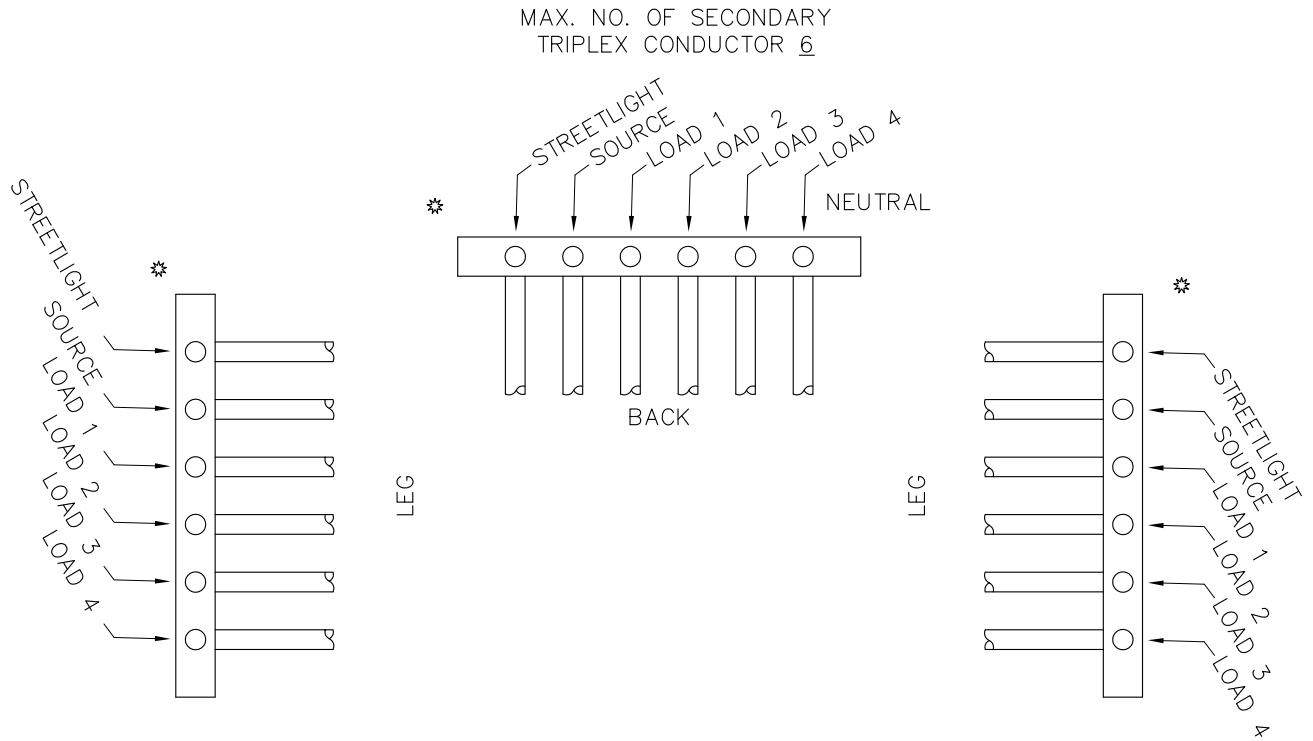
SECONDARY PEDESTAL ASSEMBLY

REVISIONS			
Δ	DATE	ENGR	OPS
0	2/23/00	HWH	MA
1	4/26/04	LB	AH
Δ			
APP:	HWH/ELM	SECTION	
DATE:	1980	1700	

PAGE:
1 of 2

UED6

CAD FILE:
UED6



ITEM NO.	DESCRIPTION	UED4	
		QTY.	S/N
1	Pedestal, Secondary, aboveground W/ PED6 Connectors and Covers	1	2562
2	Lock, Equipment U.G.	1	837

REV 1: CHANGED TO ABOVEGROUND PEDESTAL



CONSTRUCTION STANDARDS

SECONDARY PEDESTAL ASSEMBLY

REVISIONS			
Δ	DATE	ENGR	OPS
0	2/23/00	HWH	MA
1	4/26/04	LB	AH

PAGE:
2 of 2

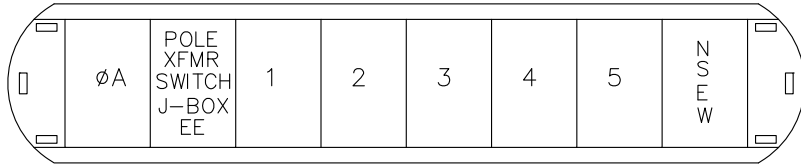
UED6

CAD FILE:
UED6

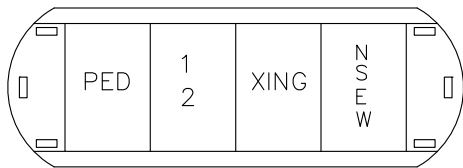
APP: HWH/ELM
DATE: 1980

SECTION
1700

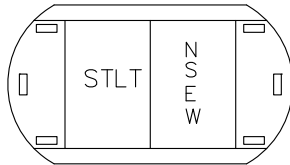
PRIMARY



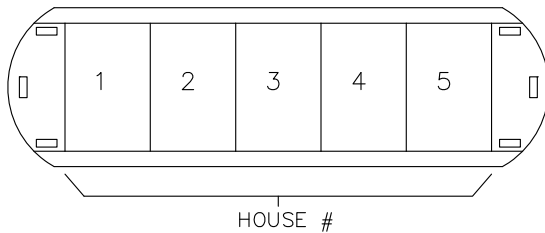
SECONDARY



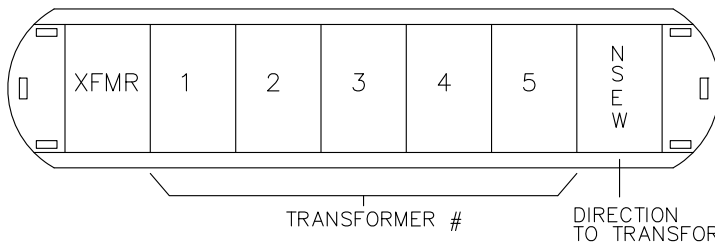
In transformer to secondary pedestal.
 * Only used when pedestal is across the street from transformer.



In transformer or pedestal to streetlight.



In secondary pedestal to house.



In secondary pedestal from transformer.

USE SIMILAR IDENTIFICATION FOR JUNCTION MODULES, SWITCH AND FUSE POINTS, ETC.
 THESE TAGS ARE FOR URD PRIMARY AND SECONDARY CABLES.
 TAG ALL CABLES

REV 1 - REVISIONS MARKED WITH A STAR
 REV 2 - CHANGED TO E-Z TAGS.



CONSTRUCTION STANDARDS
 UNDERGROUND CONDUCTOR
 IDENTIFICATION TAGS

REVISIONS			
Δ	DATE	ENGR	OPS
1	2/23/00	HWH	MA
2	9/23/04	LB	AH
Δ REVISIONS MARKED WITH STAR			
APP:		SECTION	
DATE: 1/31/80		1300	

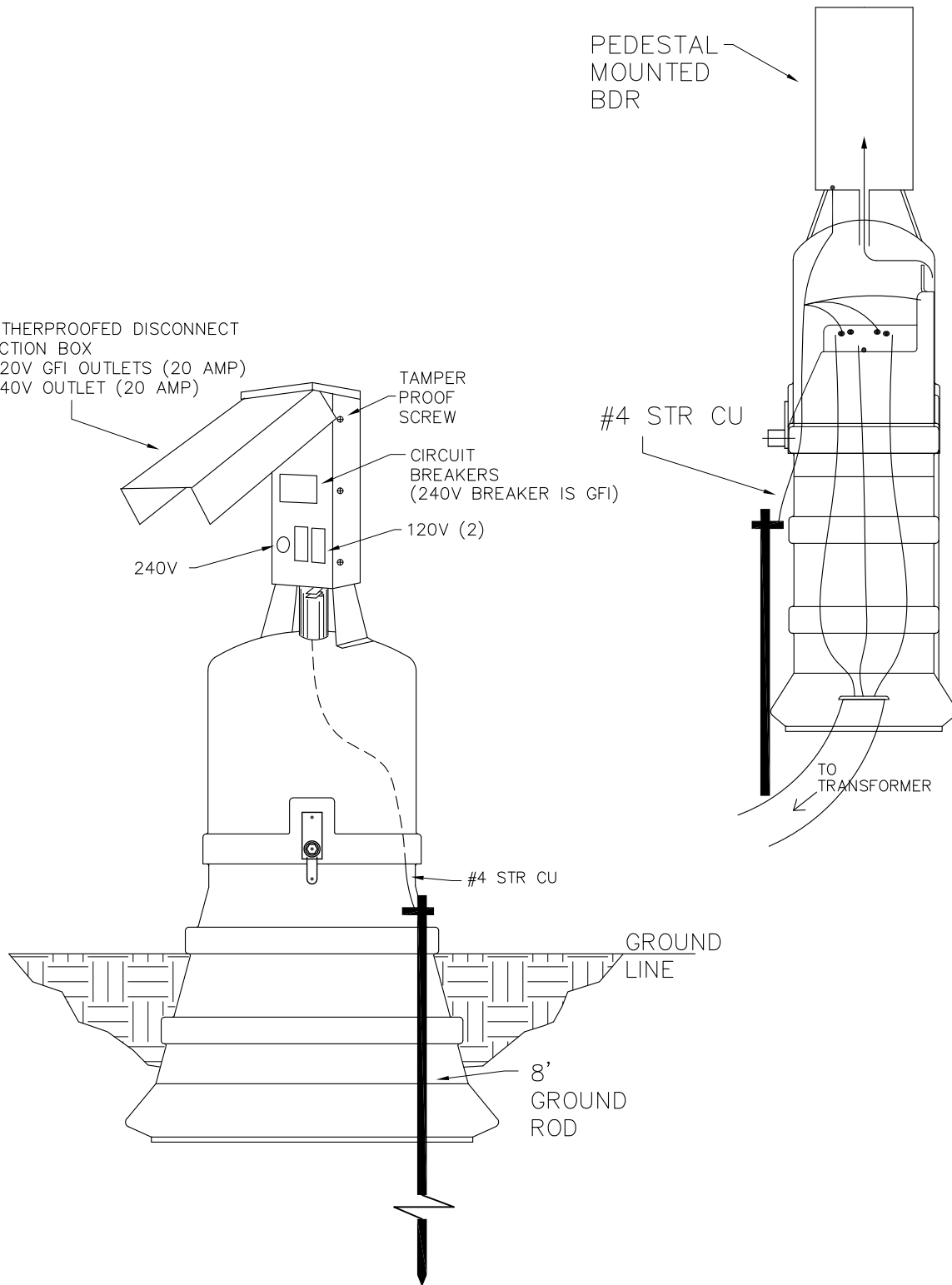
PAGE:
1 of 1

UID2

CAD FILE:
UID2

1700 Underground Secondary

1700 Underground Secondary



CONNECTION DIAGRAM

REV 2: Removed note



CONSTRUCTION STANDARDS

120/240 TEMPORARY
PEDESTAL MOUNTED BDR

REVISIONS

REV	DATE	ENGR	OPS
0	2/23/00	HWH	MA
1	4/26/04	LB	AH
2	5/30/07	LB	AH

PAGE:
1 of 1

UBDR

CAD FILE:
UBDR

APP: JEH
DATE: 2/22/00

SECTION
1700