

REV. 1: CHANGED TITLE TO "DECORATIVE AREA LIGHTING SINGLE ACORN"

ITEM NO.	DESCRIPTION	SL100A	
		QTY.	S/N
1	STANDARD, FLUTED SHAFT, FG, 14.5' DB, BLACK	1	2219
2	LUMINAIRE AND BALLAST, 100WATT TYPE 5 W/INTERNAL HOUSE SHIELD	1	2220
3	CONDUCTOR, CU, #12 STR. BLACK	25ft.	386
4	CONDUCTOR, CU, #12 STR. WHITE	25ft.	387
5	CONNECTOR, CABLELOK, 2-8 STR	1	416
6	FUSE, 10E, ONE TIME BUSS	1	2389
7	HOLDER, FUSE	1	2388
8	RELAY, PHOTO EXT. 120V	1	1107
9	LAMP, HPS, 100W, HPS	1	1745



CONSTRUCTION STANDARDS

DECORATIVE AREA LIGHTING *
SINGLE ACORN
FIBERGLASS POLE

REVISIONS

REV	DATE	ENGR	OPS
0	2/23/00	HWH	MA
1	8/24/04	LB	AH

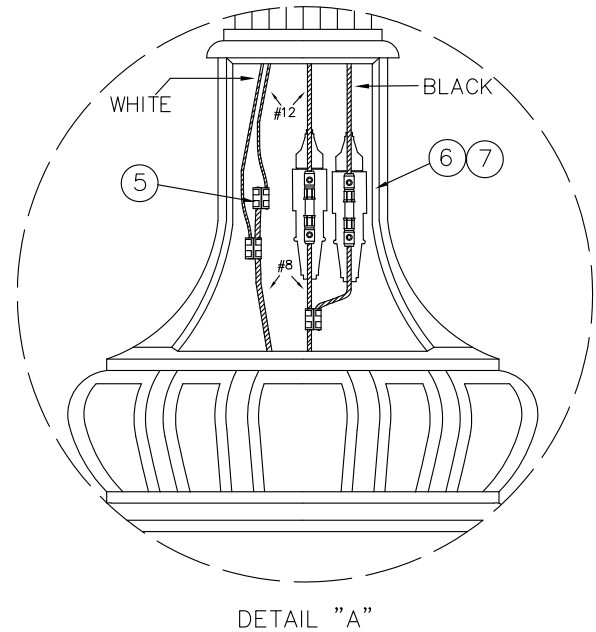
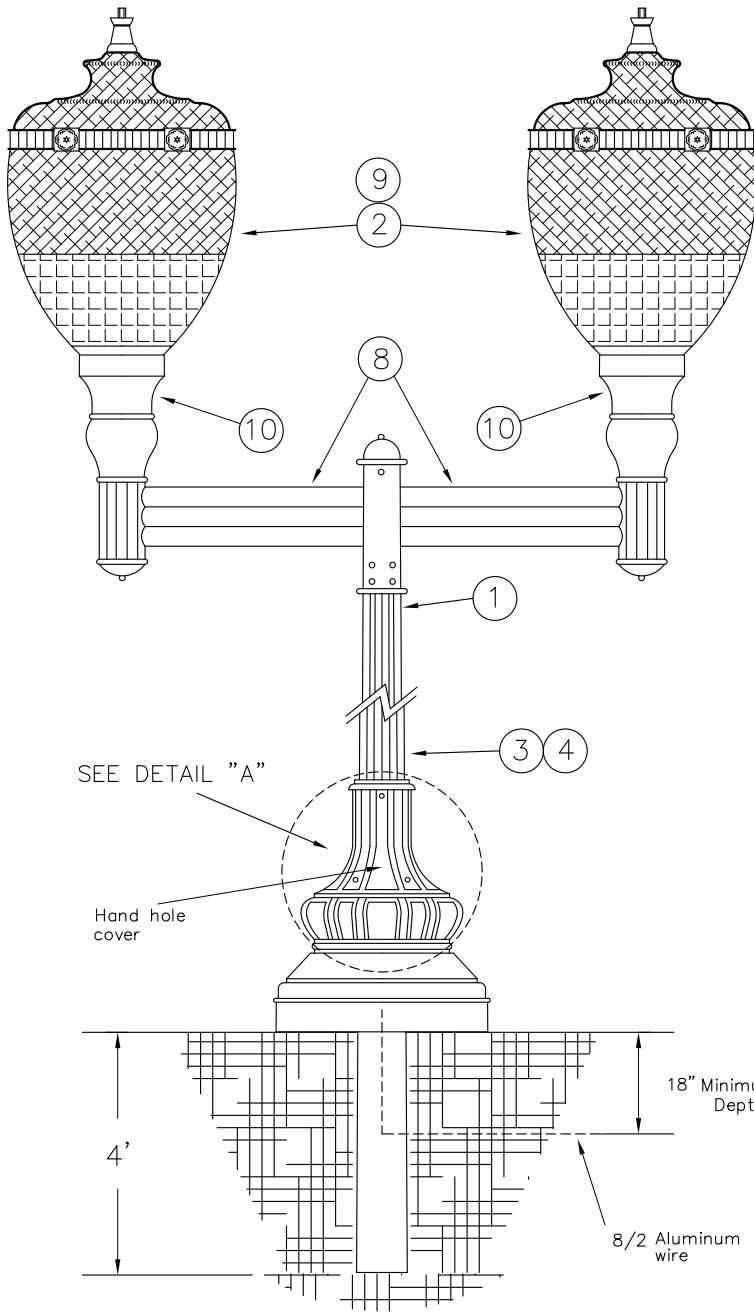
PAGE:
1 of 1

DL100A

CAD FILE:
DL100A

APP: WAH
DATE: 8/13/04

SECTION
1000



REV. 1: CHANGED TITLE TO "DECORATIVE AREA LIGHTING TWIN ACORN"

ITEM NO.	DESCRIPTION	SL100AT	
		QTY.	S/N
1	STANDARD, FLUTED SHAFT, FIBERGLASS, DIRECT BURIED 14.5', BLACK	1	2219
2	LUMINAIRE AND BALLAST, 100WATT TYPE 5 W/INTERNAL HOUSE SIDE SHIELD	2	2220
3	CONDUCTOR, CU, #12 STR. BLACK	25ft.	386
4	CONDUCTOR, CU, #12 STR. WHITE	25ft.	387
5	CONNECTOR, CABLELOK, 2-8 STR	3	416
6	FUSE, 10AMP	2	2389
7	HOLDER, FUSE	2	2388
8	ARM TWIN FIXTURE FOR ACORN LUM	1	2200
9	LAMP, HPS, 100W, 55V	2	1745
10	RELAY, PHOTO EXT. 120V	2	1107



CONSTRUCTION STANDARDS

DECORATIVE AREA LIGHTING *
TWIN ACORN
FIBERGLASS POLE

REVISIONS

REV	DATE	ENGR	OPS
0	2/23/00	HWH	MA
1	8/24/04	LB	AH

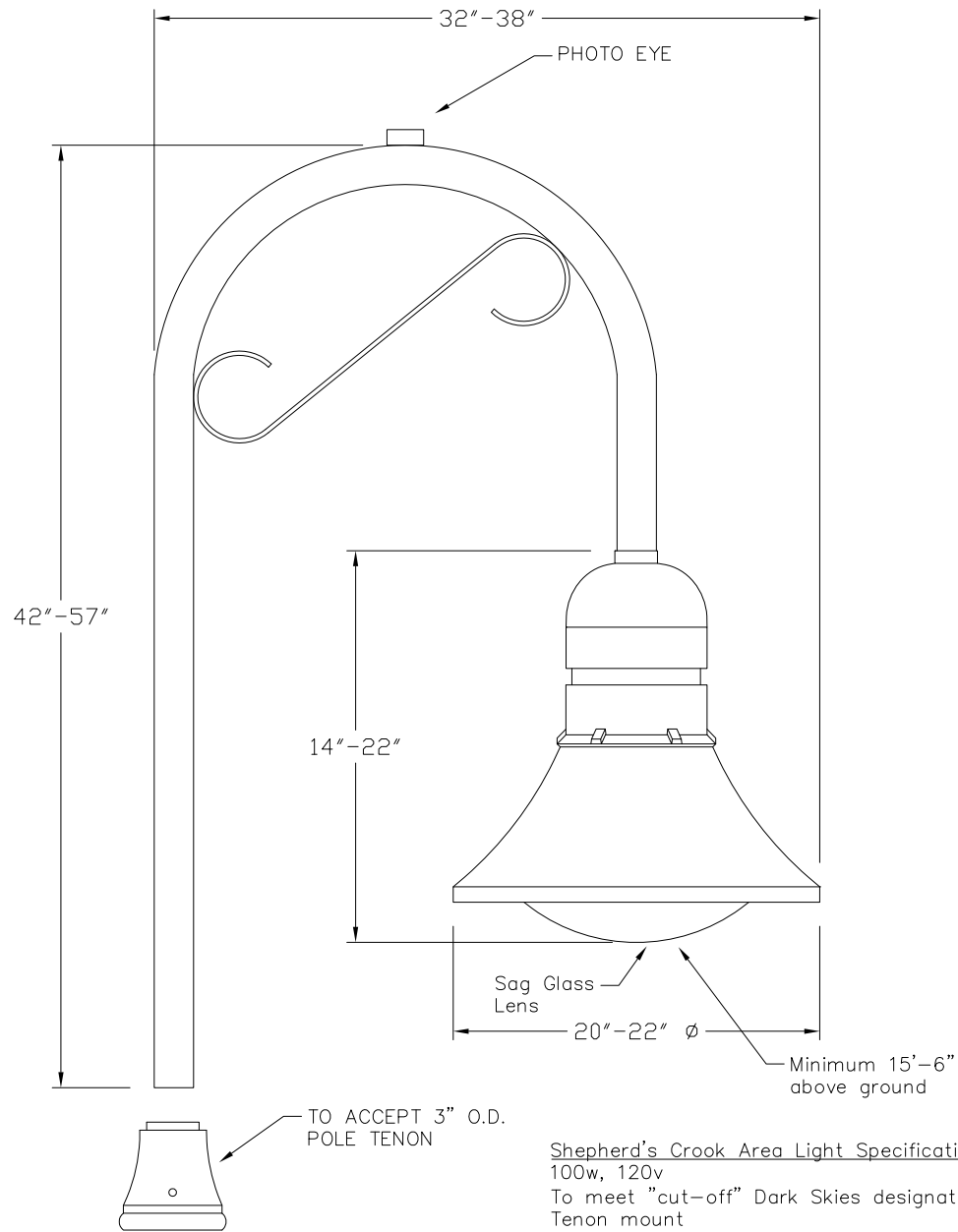
PAGE:
1 of 1

DL100AT

CAD FILE:
DL100AT

APP: WAH
DATE: 8/13/04

SECTION
1000



NOTES: 1. Dimensions are approximate.
2. Color: Black matte or semi gloss.

Shepherd's Crook Area Light Specifications
100w, 120v
To meet "cut-off" Dark Skies designation
Tenon mount
Independent photo control
HPF ballast
Type 2 or 3 distribution pattern

ITEM NO.	DESCRIPTION	DL100SH	
		QTY.	S/N
1	STANDARD, FLUTED SHAFT, FG, 14.5' DB, BLACK	1	2219
2	LUMINAIRE, SHEPHERD'S HOOK	1	2565
3	CONDUCTOR, CU, #12 STR. BLACK	35ft.	386
4	CONDUCTOR, CU, #12 STR. WHITE	35ft.	387
5	CONNECTOR, CABLELOK, 2-8 STR	1	416
6	FUSE, 10E, ONE TIME BUSS	1	2389
7	HOLDER, FUSE	1	2388
8	RELAY, PHOTO EXT. 120V	1	1107
9	LAMP, HPS, 100W, HPS	1	1745



CONSTRUCTION STANDARDS

DECORATIVE AREA LIGHTING
SHEPHERDS HOOK

REVISIONS			
DATE	ENGR	OPS	
8/24/04	LB	AH	

PAGE:
1 of 1

DL100SH

CAD FILE:
DL100SH

APP: WAH
DATE: 8/13/04

SECTION
1000